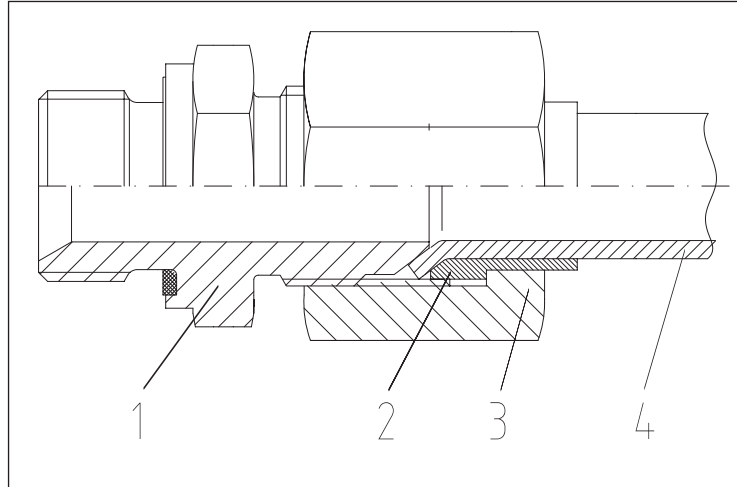


SAE FLARE COUPLINGS - FUNCTION	6.3
NUTS	6.4
SLEEVES - TUBE - METRIC	6.5
SLEEVES - TUBE - INCH	6.6
JIC - 37° - ADAPTORS - STRAIGHT UNIONS	6.7
JIC - 37° - ADAPTORS - 90°-ELBOW CONNECTORS	6.7
JIC - 37° - T-CONNECTORS	6.8
JIC - 37° - ADAPTORS - STRAIGHT - JIC - FEMALE X JIC FEMALE	6.8
JIC - 37° - ADAPTORS - STRAIGHT - JIC - MALE X BSP - MALE	6.9
JIC - 37° - ADAPTORS - STRAIGHT - JIC - MALE X NPT - MALE	6.10
JIC - 37° - ADAPTORS - STRAIGHT - JIC - MALE X BSP - TAPER - MALE	6.11
JIC - 37° - ADAPTORS - STRAIGHT - JIC - FEMALE X BSP - MALE	6.12
JIC - 37° - ADAPTORS - STRAIGHT - JIC - FEMALE X JIC MALE	6.13
JIC - 37° - ADAPTORS - CONED PLUG	6.14
JIC - 37° - ADAPTORS - 90°-ELBOW - JIC - MALE X NPT - MALE	6.15
JIC - 37° - ADAPTORS - 90°-ELBOW - JIC - MALE X BSP - TAPER - MALE	6.16
JIC - 37° - CONNECTIONS - STRAIGHT BULKHEAD CONNECTIONS	6.17
JIC - 37° - STRAIGHT ADAPTORS - JIC - FEMALE X NPT - MALE	6.18
JIC - 37° - ADAPTORS - 90°-ELBOW - JIC - FEMALE X NPT - MALE	6.19
JIC - 37° - ADAPTORS - 90°-ELBOW - JIC - FEMALE X JIC - MALE	6.20
JIC - 37° - TEE-ADAPTORS - JIC - FEMALE X JIC - MALE	6.21
JIC - 37° - TEE-ADAPTORS - JIC - FEMALE X JIC - MALE	6.22
ADJUSTABLE MALE STUD ELBOWS - JIC - MALE X BSP MALE	6.23



SAE J514 & ISO 8434 part 2 fittings  
37deg. flare Tube Fittings

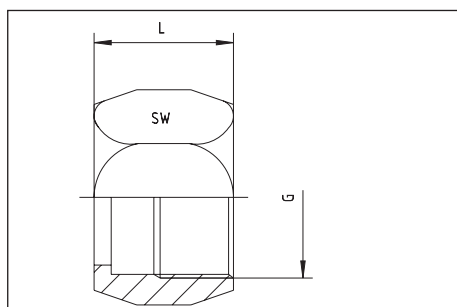


1. BODY 2. FLARE PLUG 3. NUT 4. TUBE

# NUTS

for 37°-flare couplings

to SAE J 514 and ISO 8434 part 2

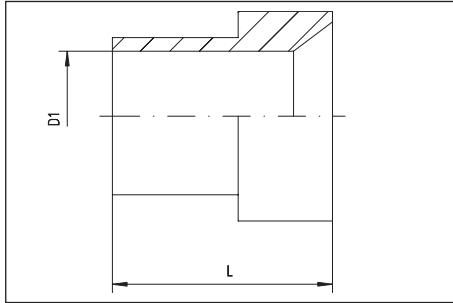


Tube O.D.		Thread G	L	SW	ME Order-Code
mm	in.				
6	1/4"	7/16"-20 UNF	15,5	14	M 37-06-04
8	5/16"	1/2"-20 UNF	17,0	17	M 37-08-05
10	3/8"	9/16"-18 UNF	18,3	19	M 37-10-06
12	1/2"	3/4"-16 UNF	21,3	22	M 37-12-08
14, 15, 16	5/8"	7/8"-14 UNF	24,6	27	M 37-16-10
18, 20	3/4"	1 1/16"-12 UN	25,9	32	M 37-20-12
25	1"	1 5/16"-12 UN	28,4	41	M 37-25-16
28, 30, 32	1 1/4"	1 5/8"-12 UN	31,0	50	M 37-30-20
35, 38	1 1/2"	1 7/8"-12 UN	35,8	60	M 37-38-24
50	2"	2 1/2"-12 UN	44,2	75	M 37-50-32

# SLEEVES

for 37°-flare couplings  
Tube - metric

to SAE J 514 and ISO 8434 part 2

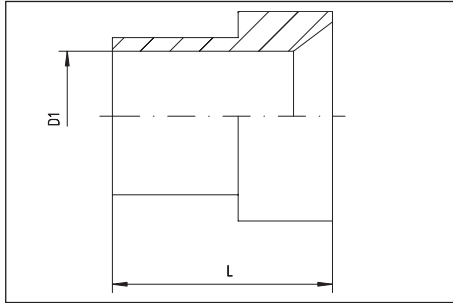


Tube O.D. mm	D1 + Tol.	L	ME Order-Code
6	6	10,4	DR 37-06
8	8	11,2	DR 37-08
10	10	12,7	DR 37-10
12	12	14,2	DR 37-12
14	14	14,0	DR 37-14
15	15	14,0	DR 37-15
16	16	16,8	DR 37-16
18	30	23,1	DR 37-18
20	20	17,3	DR 37-20
25	25	19,8	DR 37-25
28	28	23,0	DR 37-28
30	30	23,1	DR 37-30
32	32	23,0	DR 37-32
35	35	28,4	DR 37-35
38	38	28,4	DR 37-38
50	50	30,2	DR 37-50

# SLEEVES

for 37°-flare couplings  
 Tube - inch

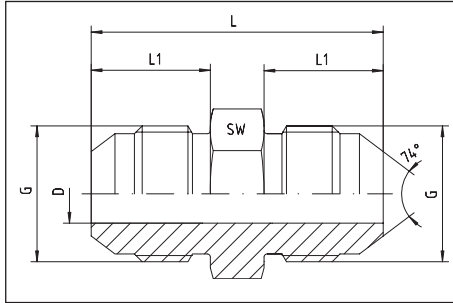
to SAE J 514 and ISO 8434 part 2



Tube O.D.		D1	L	ME Order-Code
in.	mm			
1/4"	6,35	6,53	10,4	DR 37-1/4"
5/16"	7,94	8,13	11,2	DR 37-5/16"
3/8"	9,52	9,73	12,7	DR 37-3/8"
1/2"	12,70	12,88	14,2	DR 37-1/2"
5/8"	15,88	16,08	16,8	DR 37-5/8"
3/4"	19,05	19,28	17,3	DR 37-3/4"
1"	25,40	25,60	19,8	DR 37-1"
1 1/4"	31,75	32,05	23,1	DR 37-1 1/4"
1 1/2"	38,10	38,40	28,4	DR 37-1 1/2"
2"	50,80	51,21	30,2	DR 37-2"

# JIC - 37° - ADAPTORS

Straight unions  
male - male



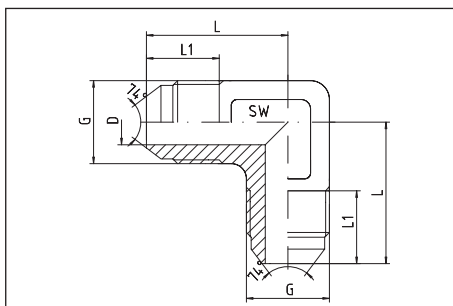
Tube O.D.		Thread G	approx. dimensions				ME Order-Code
mm	in.		L	L1	D	SW	
6	1/4"	7/16"-20 UNF	35,0	14,0	4,5	12	1252510-04-04
8	5/16"	1/2"-20 UNF	35,0	14,0	5,0	14	1252510-05-05
10	3/8"	9/16"-18 UNF	36,0	14,1	7,5	17	1252510-06-06
12	1/2"	3/4"-16 UNF	41,0	16,7	9,5	22	1252510-08-08
14, 15, 16	5/8"	7/8"-14 UNF	48,0	19,3	12,5	24	1252510-10-10
18, 20	3/4"	1 1/16"-12 UN	55,0	21,9	15,0	27	1252510-12-12
25	1"	1 5/16"-12 UN	57,0	23,1	21,5	36	1252510-16-16
28, 30, 32	1 1/4"	1 5/8"-12 UN	61,5	24,3	27,5	46	1252510-20-20
35, 38	1 1/2"	1 7/8"-12 UN	70,0	27,5	33,0	50	1252510-24-24
50	2"	2 1/2"-12 UN	80,0	33,9	45,0	65	1252510-32-32

Reducers on request!

For example: tube 20 to 16 = Order-Code: 1252510-12-10

# JIC - 37° - ELBOW-ADAPTORS

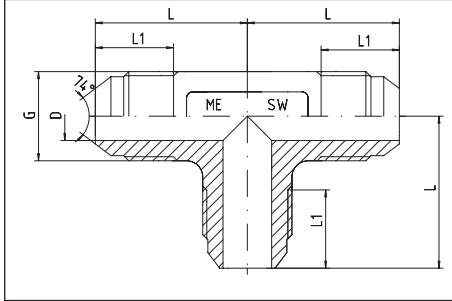
90°-elbow connectors  
male - male



Tube O.D.		Thread G	approx. dimensions				ME Order-Code
mm	in.		L	L1	D	SW	
6	1/4"	7/16"-20 UNF	22,5	14,0	4,5	12	1252511-04-04
8	5/16"	1/2"-20 UNF	24,0	14,0	6,0	13	1252511-05-05
10	3/8"	9/16"-18 UNF	27,0	14,1	7,5	14	1252511-06-06
12	1/2"	3/4"-16 UNF	31,0	16,7	10,0	19	1252511-08-08
14, 15, 16	5/8"	7/8"-14 UNF	37,5	19,3	12,5	24	1252511-10-10
18, 20	3/4"	1 1/16"-12 UN	42,0	21,9	15,0	24	1252511-12-12
25	1"	1 5/16"-12 UN	46,0	23,1	21,5	33	1252511-16-16
28, 30, 32	1 1/4"	1 5/8"-12 UN	52,5	24,3	27,5	41	1252511-20-20
35, 38	1 1/2"	1 7/8"-12 UN	59,0	27,5	33,0	48	1252511-24-24
50	2"	2 1/2"-12 UN	77,5	33,9	45,0	65	1252511-32-32

## JIC - 37° - T-CONNECTORS

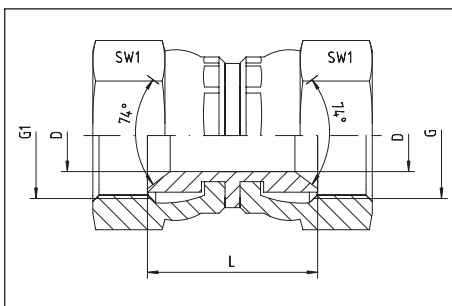
all sides male



Tube O.D.		Thread G	approx. dimensions				ME Order-Code
mm	in.		L	L1	D	SW	
6	1/4"	7/16"-20 UNF	22,5	14,0	4,5	12	1252512-04-04-04
8	5/16"	1/2"-20 UNF	24,0	14,0	6,0	13	1252512-05-05-05
10	3/8"	9/16"-18 UNF	27,0	14,1	7,5	14	1252512-06-06-06
12	1/2"	3/4"-16 UNF	31,0	16,7	10,0	19	1252512-08-08-08
14, 15, 16	5/8"	7/8"-14 UNF	37,5	19,3	12,5	24	1252512-10-10-10
18, 20	3/4"	1 1/16"-12 UN	42,0	21,9	15,5	24	1252512-12-12-12
25	1"	1 5/16"-12 UN	46,0	23,1	21,5	33	1252512-16-16-16
28, 30, 32	1 1/4"	1 5/8"-12 UN	52,5	24,3	27,5	41	1252512-20-20-20
35, 38	1 1/2"	1 7/8"-12 UN	59,0	27,5	33,0	48	1252512-24-24-24
50	2"	2 1/2"-12 UN	77,5	33,9	45,0		1252512-32-32-32

## JIC - 37° - ADAPTORS

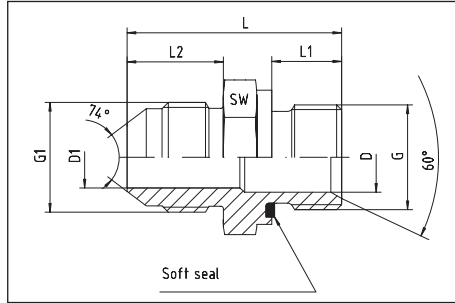
JIC - female - swivel  
both sides



Tube O.D.		Thread G1	approx. dimensions			ME Order-Code
mm	in.		L	D	SW1	
6	1/4"	7/16"-20 UNF	21,0	4,0	17	3252511-04-04
8	5/16"	1/2"-20 UNF	21,0	5,0	17	3252511-05-05
10	3/8"	9/16"-18 UNF	24,0	7,0	19	3252511-06-06
12	1/2"	3/4"-16 UNF	25,5	10,0	24	3252511-08-08
14, 15, 16	5/8"	7/8"-14 UNF	30,0	12,0	27	3252511-10-10
18, 20	3/4"	1 1/16"-12 UN	30,0	15,0	32	3252511-12-12
25	1"	1 5/16"-12 UN	35,0	21,0	41	3252511-16-16
28, 30, 32	1 1/4"	1 5/8"-12 UN	35,0	27,5	50	3252511-20-20
35, 38	1 1/2"	1 7/8"-12 UN	40,0	33,0	55	3252511-24-24

# JIC - 37° - ADAPTORS

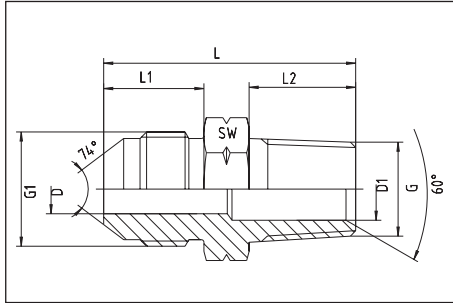
JIC - male  
 BSP - male  
 with captive soft seal



Tube O.D.		Thread		approx. dimensions						ME Order-Code
mm	in.	G1 = UNF/UN	G = BSP	L	L1	L2	D	D1	SW	G1 x G
6	1/4"	7/16"-20	1/8"-28	30,0	8	14,0	3,5	3,5	14	1052510-04-02
6	1/4"	7/16"-20	1/4"-19	34,0	12	14,0	4,0	4,0	19	1052510-04-04
6	1/4"	7/16"-20	3/8"-19	34,5	12	14,0	8,0	4,0	22	1052510-04-06
6	1/4"	7/16"-20	1/2"-14	37,5	14	14,0	11,5	4,0	27	1052510-04-08
8	5/16"	1/2"-20	1/8"-28	30,0	8	14,0	4,5	4,5	14	1052510-05-02
8	5/16"	1/2"-20	1/4"-19	34,0	12	14,0	5,0	5,0	19	1052510-05-04
8	5/16"	1/2"-20	3/8"-19	34,5	12	14,0	8,0	5,0	22	1052510-05-06
8	5/16"	1/2"-20	1/2"-14	37,5	14	14,0	11,5	5,0	27	1052510-05-08
10	3/8"	9/16"-18	1/8"-28	30,0	8	16,0	4,5	6,0	17	1052510-06-02
10	3/8"	9/16"-18	1/4"-19	33,0	10	14,0	6,0	6,0	19	1052510-06-04
10	3/8"	9/16"-18	3/8"-19	34,5	12	14,0	7,5	7,5	22	1052510-06-06
10	3/8"	9/16"-18	1/2"-14	40,0	14	14,0	12,0	7,5	27	1052510-06-08
12	1/2"	3/4"-16	1/4"-19	37,0	10	17,0	5,0	9,5	22	1052510-08-04
12	1/2"	3/4"-16	3/8"-19	41,0	12	17,0	9,0	9,0	22	1052510-08-06
12	1/2"	3/4"-16	1/2"-14	40,5	14	17,0	9,5	9,5	27	1052510-08-08
12	1/2"	3/4"-16	3/4"-14	46,0	16	17,0	17,0	9,5	32	1052510-08-12
14, 15, 16	5/8"	7/8"-14	3/8"-19	42,5	12	19,5	8,0	12,0	24	1052510-10-06
14, 15, 16	5/8"	7/8"-14	1/2"-14	43,0	14	19,5	12,0	12,0	27	1052510-10-08
14, 15, 16	5/8"	7/8"-14	5/8"-14	44,5	16	19,5	14,5	12,0	30	1052510-10-10
14, 15, 16	5/8"	7/8"-14	3/4"-14	46,0	16	19,5	17,0	12,0	32	1052510-10-12
14, 15, 16	5/8"	7/8"-14	1"-11	50,0	18	19,5	22,5	12,0	41	1052510-10-16
18, 20	3/4"	1 1/16"-12	1/2"-14	50,0	14	22,0	11,5	15,0	27	1052510-12-08
18, 20	3/4"	1 1/16"-12	3/4"-14	51,0	16	22,0	15,0	15,0	32	1052510-12-12
18, 20	3/4"	1 1/16"-12	1"-11	53,0	18	22,0	22,5	15,0	41	1052510-12-16
18, 20	3/4"	1 1/16"-12	1 1/4"-11	56,5	20	22,0	29,0	15,0	50	1052510-12-20
25	1"	1 5/16"-12	3/4"-14	53,0	16	23,0	17,5	21,5	36	1052510-16-12
25	1"	1 5/16"-12	1"-11	53,5	18	23,0	21,5	21,5	41	1052510-16-16
25	1"	1 5/16"-12	1 1/4"-11	57,5	20	23,0	29,0	21,5	50	1052510-16-20
25	1"	1 5/16"-12	1 1/2"-11	59,5	22	23,0	33,5	21,0	55	1052510-16-24
28, 30, 32	1 1/4"	1 5/8"-12	3/4"-14	56,7	16	24,3	17,0	26,5	46	1052510-20-12
28, 30, 32	1 1/4"	1 5/8"-12	1"-11	55,0	18	24,3	23,0	26,5	46	1052510-20-16
28, 30, 32	1 1/4"	1 5/8"-12	1 1/4"-11	59,0	20	24,3	29,0	26,5	50	1052510-20-20
28, 30, 32	1 1/4"	1 5/8"-12	1 1/2"-11	61,0	22	24,3	33,5	26,5	55	1052510-20-24
28, 30, 32	1 1/4"	1 5/8"-12	2"-11	64,3	25	24,3	46,0	26,5	70	1052510-20-32
35, 38	1 1/2"	1 7/8"-12	1"-11	71,0	19	27,5	22,5	32,0	50	1052510-24-16
35, 38	1 1/2"	1 7/8"-12	1 1/4"-11	62,0	20	27,5	29,0	32,0	50	1052510-24-20
35, 38	1 1/2"	1 7/8"-12	1 1/2"-11	64,0	22	27,5	33,5	32,0	55	1052510-24-24
35, 38	1 1/2"	1 7/8"-12	2"-11	67,5	25	27,5	46,0	32,0	70	1052510-24-32

# JIC - 37° - ADAPTORS

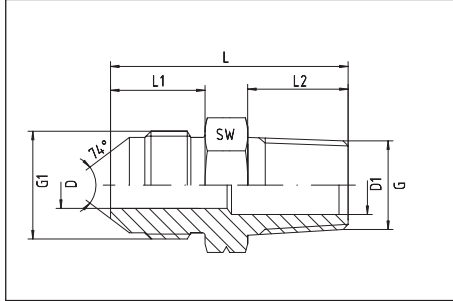
JIC - male  
NPT - male



Tube O.D.		Thread		approx. dimensions						ME Order-Code
mm	in.	G1 = UNF/UN	G = NPT	L	L1	L2	D	D1	SW	G1 x G
6	1/4"	7/16"-20	1/8"-27	31,0	14,0	10,0	4,0	4,0	12	1252810-04-02
6	1/4"	7/16"-20	1/4"-18	36,0	14,0	15,0	4,0	4,0	17	1252810-04-04
6	1/4"	7/16"-20	3/8"-18	36,0	14,0	15,3	4,0	9,0	19	1252810-04-06
8	5/16"	1/2"-20	1/8"-27	30,0	14,0	10,0	4,0	4,0	14	1252810-05-02
8	5/16"	1/2"-20	1/4"-18	36,0	14,0	15,0	5,0	5,0	17	1252810-05-04
8	5/16"	1/2"-20	3/8"-18	36,0	14,0	15,3	5,0	9,0	19	1252810-05-06
10	3/8"	9/16"-18	1/8"-27	30,0	14,0	10,0	6,0	4,0	17	1252810-06-02
10	3/8"	9/16"-18	1/4"-18	34,0	14,0	15,0	6,0	6,0	17	1252810-06-04
10	3/8"	9/16"-18	3/8"-18	34,0	14,0	15,3	6,0	6,0	19	1252810-06-06
10	3/8"	9/16"-18	1/2"-14	43,0	14,0	20,0	7,5	13,0	22	1252810-06-08
12	1/2"	3/4"-16	1/4"-18	39,0	17,0	15,0	9,0	5,0	19	1252810-08-04
12	1/2"	3/4"-16	3/8"-18	39,0	17,0	15,3	9,0	9,0	19	1252810-08-06
12	1/2"	3/4"-16	1/2"-14	45,7	17,0	20,0	9,5	9,5	22	1252810-08-08
12	1/2"	3/4"-16	3/4"-14	47,2	17,0	20,0	9,5	17,0	27	1252810-08-12
14, 15, 16	5/8"	7/8"-14	3/8"-18	42,0	19,5	15,3	12,0	9,0	24	1252810-10-06
14, 15, 16	5/8"	7/8"-14	1/2"-14	48,0	19,5	20,0	12,0	12,0	24	1252810-10-08
14, 15, 16	5/8"	7/8"-14	3/4"-14	48,2	19,5	20,0	12,0	18,0	27	1252810-10-12
18, 20	3/4"	1 1/16"-12	3/8"-18	47,0	22,0	15,3	15,0	9,0	27	1252810-12-06
18, 20	3/4"	1 1/16"-12	1/2"-14	52,2	22,0	20,0	15,0	13,5	27	1252810-12-08
18, 20	3/4"	1 1/16"-12	3/4"-14	52,3	22,0	20,0	15,0	15,0	27	1252810-12-12
18, 20	3/4"	1 1/16"-12	1"-11,5	57,5	22,0	25,0	15,0	21,0	36	1252810-12-16
25	1"	1 5/16"-12	1/2"-14	53,2	23,0	20,0	21,0	13,5	36	1252810-16-08
25	1"	1 5/16"-12	3/4"-14	53,0	23,0	20,0	21,0	18,0	36	1252810-16-12
25	1"	1 5/16"-12	1"-11,5	58,0	23,0	25,0	21,0	21,0	36	1252810-16-16
25	1"	1 5/16"-12	1 1/4"-11,5	58,0	23,0	25,5	21,0	31,7	46	1252810-16-20
25	1"	1 5/16"-12	1 1/2"-11,5	62,0	23,0	26,0	21,0	32,0	50	1252810-16-24
28, 30, 32	1 1/4"	1 5/8"-12	1"-11,5	62,0	24,3	25,0	26,5	21,0	46	1252810-20-16
28, 30, 32	1 1/4"	1 5/8"-12	1 1/4"-11,5	62,0	24,3	25,5	26,5	31,7	46	1252810-20-20
28, 30, 32	1 1/4"	1 5/8"-12	1 1/2"-11,5	64,8	24,3	26,0	26,5	38,0	50	1252810-20-24
35, 38	1 1/2"	1 7/8"-12	1 1/2"-11,5	68,0	27,5	26,0	32,0	32,0	50	1252810-24-24
35, 38	1 1/2"	1 7/8"-12	1 1/4"-11,5	66,0	27,5	25,5	31,7	31,7	50	1252810-24-20
50	2"	2 1/2"-12	2"-11,5	72,0	33,9	26,0	45,0	45,0	65	1252810-32-32

# JIC - 37° - ADAPTORS

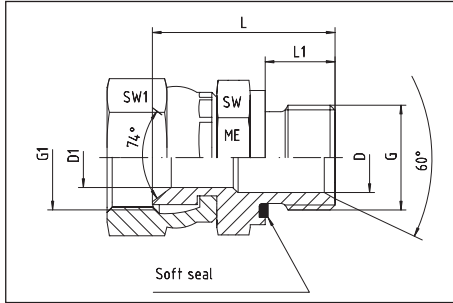
JIC - male  
BSP - taper - male



Tube O.D.		Thread		approx. dimensions						ME Order-Code
mm	in.	G1 = UNF/UN	G = keg.	L	L1	L2	D	D1	SW	G1 x G
6	1/4"	7/16"-20	1/8"-28	29,0	14,0	8	4,0	4,0	12	1252820-04-02
6	1/4"	7/16"-20	1/4"-19	33,0	14,0	12	4,0	4,0	17	1252820-04-04
6	1/4"	7/16"-20	3/8"-19	32,7	14,0	12	4,0	9,0	19	1252820-04-06
8	5/16"	1/2"-20	1/8"-28	28,0	14,0	8	4,0	4,0	14	1252820-05-02
8	5/16"	1/2"-20	1/4"-19	33,0	14,0	12	5,0	5,0	17	1252820-05-04
8	5/16"	1/2"-20	3/8"-19	32,7	14,0	12	5,0	9,0	19	1252820-05-06
10	3/8"	9/16"-18	1/8"-28	28,0	14,0	8	6,0	4,0	17	1252820-06-02
10	3/8"	9/16"-18	1/4"-19	31,0	14,0	12	6,0	6,0	17	1252820-06-04
10	3/8"	9/16"-18	3/8"-19	30,7	14,0	12	6,0	6,0	19	1252820-06-06
10	3/8"	9/16"-18	1/2"-14	37,0	14,0	14	7,5	13,0	22	1252820-06-08
12	1/2"	3/4"-16	1/4"-19	36,0	17,0	12	9,0	5,0	19	1252820-08-04
12	1/2"	3/4"-16	3/8"-19	35,7	17,0	12	9,0	9,0	19	1252820-08-06
12	1/2"	3/4"-16	1/2"-14	39,7	17,0	14	9,5	9,5	22	1252820-08-08
12	1/2"	3/4"-16	3/4"-14	43,2	17,0	16	9,5	17,0	27	1252820-08-12
14, 15, 16	5/8"	7/8"-14	3/8"-19	38,7	19,5	12	12,0	9,0	24	1252820-10-06
14, 15, 16	5/8"	7/8"-14	1/2"-14	42,0	19,5	14	12,0	12,0	24	1252820-10-08
14, 15, 16	5/8"	7/8"-14	3/4"-14	44,2	19,5	16	12,0	18,0	27	1252820-10-12
18, 20	3/4"	1 1/16"-12	1/2"-14	46,2	22,0	14	15,0	13,5	27	1252820-12-08
18, 20	3/4"	1 1/16"-12	3/4"-14	48,3	22,0	16	15,0	15,0	27	1252820-12-12
18, 20	3/4"	1 1/16"-12	1"-11	50,5	22,0	18	15,0	21,0	36	1252820-12-16
25	1"	1 5/16"-12	1/2"-14	47,2	23,0	14	21,0	13,5	36	1252820-16-08
25	1"	1 5/16"-12	3/4"-14	49,0	23,0	16	21,0	18,0	36	1252820-16-12
25	1"	1 5/16"-12	1"-11	51,0	23,0	18	21,0	21,0	36	1252820-16-16
25	1"	1 5/16"-12	1 1/4"-11			20			46	1252820-16-20
25	1"	1 5/16"-12	1 1/2"-11	58,0	23,0	22	21,0	32,0	50	1252820-16-24
28, 30, 32	1 1/4"	1 5/8"-12	1"-11	55,0	24,3	18	26,5	21,0	46	1252820-20-16
28, 30, 32	1 1/4"	1 5/8"-12	1 1/4"-11	56,5	24,3	20	26,5	31,7	46	1252820-20-20
28, 30, 32	1 1/4"	1 5/8"-12	1 1/2"-11	60,8	24,3	22	26,5	38,0	50	1252820-20-24
35, 38	1 1/2"	1 7/8"-12	1 1/2"-11	64,0	27,5	22	32,0	32,0	50	1252820-24-24
35, 38	1 1/2"	1 7/8"-12	1 1/4"-11	60,0	27,5	20	31,7	31,7	50	1252820-24-20
50	2"	2 1/2"-12	2"-11	69,0	33,9	26	45,0	45,0	65	1252820-32-32

# JIC - 37° - ADAPTORS

BSP - male  
with captive soft seal  
JIC - female - swivel

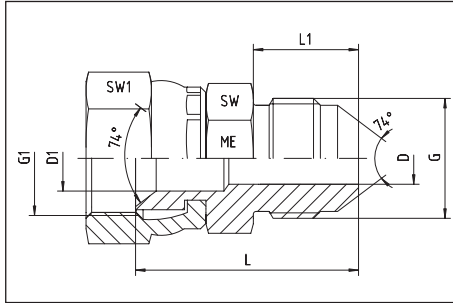


Tube O.D.		Thread		approx. dimensions							ME Order-Code
mm	in.	G1 = UNF/UN	G = BSP	L	L1	D	D1	SW1	SW	G1 x G	
6	1/4"	7/16"-20	1/8"-28	25,0	8	4,5	4,5	17	14	2052511-04-02	
6	1/4"	7/16"-20	1/4"-18	29,0	12	4,5	4,5	17	19	2052511-04-04	
6	1/4"	7/16"-20	3/8"-18					17		2052511-04-06	
8	5/16"	1/2"-20	1/8"-28	25,0	8	4,5	4,5	17	14	2052511-05-02	
8	5/16"	1/2"-20	1/4"-18	29,5	12	5,0	5,0	17	19	2052511-05-04	
8	5/16"	1/2"-20	3/8"-18	30,5	12	7,0	5,0	17	22	2052511-05-06	
10	3/8"	9/16"-18	1/8"-28	26,0	8	4,5	4,5	19	14	2052511-06-02	
10	3/8"	9/16"-18	1/4"-18	30,0	12	6,0	6,0	19	19	2052511-06-04	
10	3/8"	9/16"-18	3/8"-18	30,0	12	7,0	7,0	19	22	2052511-06-06	
10	3/8"	9/16"-18	1/2"-14	34,0	14	12,5	7,0	19	27	2052511-06-08	
12	1/2"	3/4"-16	1/4"-18	31,0	12	6,0	9,0	24	19	2052511-08-04	
12	1/2"	3/4"-16	3/8"-18	33,5	12	9,0	9,0	24	22	2052511-08-06	
12	1/2"	3/4"-16	1/2"-14	36,0	14	10,0	10,0	24	27	2052511-08-08	
12	1/2"	3/4"-16	3/4"-14	39,0	16	15,0	10,0	24	32	2052511-08-12	
14, 15, 16	5/8"	7/8"-14	3/8"-18	34,0	12	9,0	12,5	27	22	2052511-10-06	
14, 15, 16	5/8"	7/8"-14	1/2"-14	34,0	14	12,5	12,5	27	27	2052511-10-08	
14, 15, 16	5/8"	7/8"-14	5/8"-14	37,5	16	14,5	12,0	27	30	2052511-10-10	
14, 15, 16	5/8"	7/8"-14	3/4"-14	41,0	16	15,0	12,5	27	32	2052511-10-12	
18, 20	3/4"	1 1/16"-12	3/8"-18					32		2052511-12-06	
18, 20	3/4"	1 1/16"-12	1/2"-14	38,0	14	12,5	12,5	32	27	2052511-12-08	
18, 20	3/4"	1 1/16"-12	3/4"-14	40,0	16	15,0	15,0	32	32	2052511-12-12	
18, 20	3/4"	1 1/16"-12	1"-11	42,5	18	21,0	15,0	32	41	2052511-12-16	
25	1"	1 5/16"-12	1/2"-14					41		2052511-16-08	
25	1"	1 5/16"-12	3/4"-14	46,5	16	15,0	20,0	41	32	2052511-16-12	
25	1"	1 5/16"-12	1"-11	45,0	18	20,0	20,0	41	41	2052511-16-16	
25	1"	1 5/16"-12	1 1/4"-11					41		2052511-16-20	
28, 30, 32	1 1/4"	1 5/8"-12	1"-11	50,0	18	22,0	22,0	50	41	2052511-20-16	
28, 30, 32	1 1/4"	1 5/8"-12	1 1/4"-11	53,0	20	27,5	27,5	50	50	2052511-20-20	
35, 38	1 1/2"	1 7/8"-12	1 1/4"-11	55,0	20	29,0	29,0	55	50	2052511-24-20	
35, 38	1 1/2"	1 7/8"-12	1 1/2"-11	59,0	22	33,0	33,0	55	55	2052511-24-24	

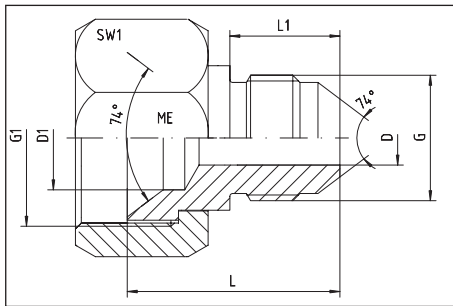
# JIC - 37° - ADAPTORS

JIC - männlich  
JIC - weiblich - drehbar

JIC - male  
JIC - female - swivel



Form: A

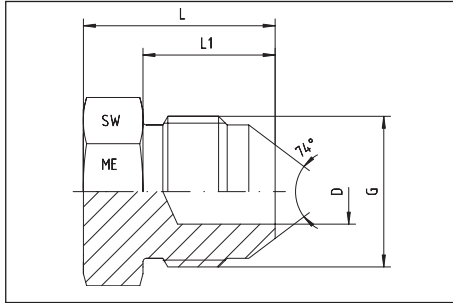


Form: B

Tube O.D.		Thread		approx. dimensions						Form	ME Order-Code G1 x G
mm	in.	G1 = UNF/UN	G = UNF/UN	L	L1	D1	D	SW1	SW		
6	1/4"	7/16"-20	7/16"-20	29,0	14,0	4,0	4,0	17	12	A	2252511-04-04
6	1/4"	9/16"-18	7/16"-20	26,0	14,0	7,0	4,0	19		B	2252511-06-04
6	1/4"	3/4"-16	7/16"-20	26,0	14,0	9,0	4,0	22		B	2252511-08-04
6	1/4"	7/8"-14	7/16"-20	32,0	14,0	12,0	4,0	27		B	2252511-10-04
8	5/16"	1/2"-20	1/2"-20	30,0	14,0	5,0	5,0	17	14	A	2252511-05-05
10	3/8"	9/16"-18	9/16"-18	30,7	14,0	6,5	6,5	19	17	A	2252511-06-06
10	3/8"	3/4"-16	9/16"-18	26,0	14,0	9,0	7,5	22		B	2252511-08-06
10	3/8"	7/8"-14	9/16"-18	28,0	14,0	11,0	7,5	27		B	2252511-10-06
12	1/2"	9/16"-18	3/4"-16	34,5	17,0	7,0	9,5	19	22	A	2252511-06-08
12	1/2"	3/4"-16	3/4"-16	35,5	17,0	9,5	9,5	24	22	A	2252511-08-08
12	1/2"	7/8"-14	3/4"-16	36,5	17,0	11,0	9,5	27	22	A	2252511-10-08
12	1/2"	1 1/16"-12	3/4"-16	33,0	17,0	15,0	9,5	32		B	2252511-12-08
14, 15, 16	5/8"	3/4"-16	7/8"-14	39,4	19,5	10,0	12,0	24	24	A	2252511-08-10
14, 15, 16	5/8"	7/8"-14	7/8"-14	40,5	19,5	12,0	12,0	27	24	A	2252511-10-10
14, 15, 16	5/8"	1 1/16"-12	7/8"-14	40,6	19,5	15,0	12,0	32	27	A	2252511-12-10
14, 15, 16	5/8"	1 5/16"-12	7/8"-14					41			2252511-16-10
18, 20	3/4"	7/8"-14	1 1/16"-12	45,5	22,0	12,0	15,0	27	28	A	2252511-10-12
18, 20	3/4"	1 1/16"-12	1 1/16"-12	45,6	22,0	15,0	15,0	32	32	A	2252511-12-12
18, 20	3/4"	1 5/16"-12	1 1/16"-12					41			2252511-16-12
25	1"	1 5/16"-12	1 5/16"-12	48,7	23,0	21,0	21,0	41	36	A	2252511-16-16
25	1"	1 5/8"-12	1 5/16"-12	56,9	23,0	26,0	21,0	50		B	2252511-20-16
25	1"	1 7/8"-12	1 5/16"-12	42,0	23,0	30,0	21,0	60		B	2252511-24-16
28, 30, 32	1 1/2"	1 5/16"-12	1 5/8"-12	53,0	24,3	19,0	26,5	50	46	A	2252511-16-20
28, 30, 32	1 1/4"	1 5/8"-12	1 5/8"-12	56,0	24,3	27,5	27,5	50	46	A	2252511-20-20
28, 30, 32	1 1/4"	1 7/8"-12	1 5/8"-12	62,0	24,3	32,0	26,5	55		B	2252511-24-20
35, 38	1 1/2"	1 7/8"-12	1 7/8"-12	60,0	27,5	33,0	33,0	55	50	A	2252511-24-24
35, 38	1 1/2"	2 1/2"-12	1 7/8"-12	66,5	27,5	44,0	32,0	70	65	A	2252511-32-24

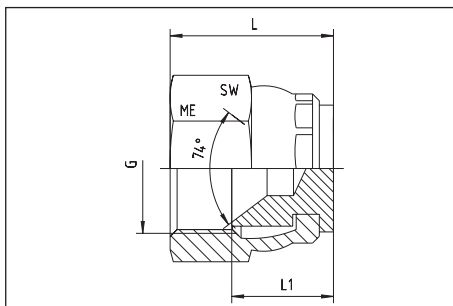
# JIC - 37° - ADAPTORS

Coned plug  
male



Tube O.D.		Thread G	approx. dimensions				ME Order-Code
mm	in.		L	L1	D	SW	
6	1/4"	7/16"-20 UNF	20,5	14,0	4,0	12	5250010-04
8	5/16"	1/2"-20 UNF	20,5	14,0	5,0	14	5250010-05
10	3/8"	9/16"-18 UNF	22,0	14,0	7,0	17	5250010-06
12	1/2"	3/4"-16 UNF	24,0	17,0	9,5	22	5250010-08
14, 15, 16	5/8"	7/8"-14 UNF	28,0	19,5	12,0	24	5250010-10
18, 20	3/4"	1 1/16"-12 UN	33,0	22,0	15,0	27	5250010-12
25	1"	1 5/16"-12 UN	34,0	23,0	21,5	36	5250010-16
28, 30, 32	1 1/4"	1 5/8"-12 UN	37,7	24,3	27,5	46	5250010-20
35, 38	1 1/2"	1 7/8"-12 UN	42,5	27,5	33,0	50	5250010-24
50	2"	2 1/2"-12 UN	52,0	33,9	45,0	65	5250010-32

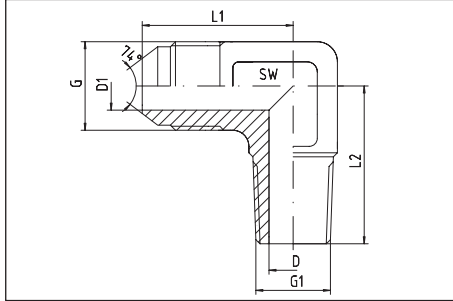
Swivel cap - female



Tube O.D.		Thread G	approx. dimensions			ME Order-Code
mm	in.		L	L1	SW	
6	1/4"	7/16"-20 UNF	20,0	12	17	5250011-04
8	5/16"	1/2"-20 UNF	22,0	12	17	5250011-05
10	3/8"	9/16"-18 UNF	23,0	13	19	5250011-06
12	1/2"	3/4"-16 UNF	25,5	14	24	5250011-08
14, 15, 16	5/8"	7/8"-14 UNF	30,0	18	27	5250011-10
18, 20	3/4"	1 1/16"-12 UN	33,0	18	32	5250011-12
25	1"	1 5/16"-12 UN	36,0	21	41	5250011-16
28, 30, 32	1 1/4"	1 5/8"-12 UN	39,5	22	50	5250011-20
35, 38	1 1/2"	1 7/8"-12 UN	44,0	24	55	5250011-24
50	2"	2 1/2"-12 UN			70	5250011-32

# JIC - 37° - ELBOW-ADAPTORS

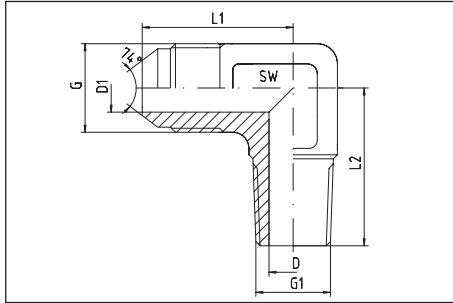
Male-90°-elbow  
 JIC - male  
 NPT - male



Tube O.D.		Thread		approx. dimensions					ME Order-Code
mm	in.	G = UNF/UN	G1 = NPT	L1	L2	D	D1	SW	G x G1
6	1/4"	7/16"-20	1/8"-27						1252517-04-02
6	1/4"	7/16"-20	1/4"-18	28,5	26,5	4,5	4,5		1252517-04-04
6	1/4"	7/16"-20	3/8"-18						1252517-04-06
8	5/16"	1/2"-20	1/8"-27						1252517-05-02
8	5/16"	1/2"-20	1/4"-18						1252517-05-04
8	5/16"	1/2"-20	3/8"-18						1252517-05-06
10	3/8"	9/16"-18	1/8"-27	27,0	25,0	4,0	7,5	14	1252517-06-02
10	3/8"	9/16"-18	1/4"-18	27,0	25,0	7,5	7,5	14	1252517-06-04
10	3/8"	9/16"-18	3/8"-18	27,0	27,0	8,5	7,5	14	1252517-06-06
10	3/8"	9/16"-18	1/2"-14						1252517-06-08
12	1/2"	3/4"-16	1/4"-18	31,0	29,5		10,0	19	1252517-08-04
12	1/2"	3/4"-16	3/8"-18	31,0	29,5	10,0	10,0	19	1252517-08-06
12	1/2"	3/4"-16	1/2"-14	31,0	34,0	10,0	10,0	19	1252517-08-08
14, 15, 16	5/8"	7/8"-14	3/8"-18	37,5	37,0	10,0	12,5	24	1252517-10-06
14, 15, 16	5/8"	7/8"-14	1/2"-14	37,5	38,0	14,0	12,5	24	1252517-10-08
14, 15, 16	5/8"	7/8"-14	3/4"-14	37,5	41,5	15,5	12,5	24	1252517-10-12
18, 20	3/4"	1 1/16"-12	1/2"-14	42,0	38,0	14,0	15,5	24	1252517-12-08
18, 20	3/4"	1 1/16"-12	3/4"-14	42,0	41,5	15,5	15,5	24	1252517-12-12
18, 20	3/4"	1 1/16"-12	1"-11,5					24	1252517-12-16
25	1"	1 5/16"-12	1/2"-14					33	1252517-16-08
25	1"	1 5/16"-12	3/4"-14					33	1252517-16-12
25	1"	1 5/16"-12	1"-11,5	49,0	50,0	21,0		33	1252517-16-16
28, 30, 32	1 1/4"	1 5/8"-12	1"-11,5						1252517-20-16
28, 30, 32	1 1/4"	1 5/8"-12	1 1/4"-11,5						1252517-20-20
35, 38	1 1/2"	1 7/8"-12	1 1/4"-11,5						1252517-24-20
35, 38	1 1/2"	1 7/8"-12	1 1/2"-11,5						1252517-24-24

# JIC - 37° - ELBOW-ADAPTORS

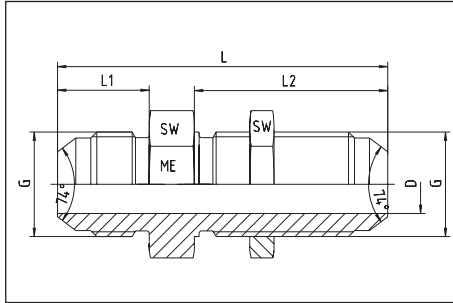
Male-90°-elbow  
 JIC - male  
 BSP - taper - male



Tube O.D.		Thread		approx. dimensions					ME Order-Code
mm	in.	G = UNF/UN	G1 = keg.	L1	L2	D	D1	SW	G x G1
6	1/4"	7/16"-20	1/8"-28						1252520-04-02
6	1/4"	7/16"-20	1/4"-19						1252520-04-04
6	1/4"	7/16"-20	3/8"-19						1252520-04-06
8	5/16"	1/2"-20	1/8"-28						1252520-05-02
8	5/16"	1/2"-20	1/4"-19						1252520-05-04
8	5/16"	1/2"-20	3/8"-19						1252520-05-06
10	3/8"	9/16"-18	1/8"-28						1252520-06-02
10	3/8"	9/16"-18	1/4"-19						1252520-06-04
10	3/8"	9/16"-18	3/8"-19						1252520-06-06
10	3/8"	9/16"-18	1/2"-14						1252520-06-08
12	1/2"	3/4"-16	1/4"-19						1252520-08-04
12	1/2"	3/4"-16	3/8"-19						1252520-08-06
12	1/2"	3/4"-16	1/2"-14						1252520-08-08
14, 15, 16	5/8"	7/8"-14	3/8"-19						1252520-10-06
14, 15, 16	5/8"	7/8"-14	1/2"-14						1252520-10-08
14, 15, 16	5/8"	7/8"-14	3/4"-14						1252520-10-12
18, 20	3/4"	1 1/16"-12	1/2"-14						1252520-12-08
18, 20	3/4"	1 1/16"-12	3/4"-14						1252520-12-12
18, 20	3/4"	1 1/16"-12	1"-11						1252520-12-16
25	1"	1 5/16"-12	1/2"-14						1252520-16-08
25	1"	1 5/16"-12	3/4"-14						1252520-16-12
25	1"	1 5/16"-12	1"-11						1252520-16-16
28, 30, 32	1 1/4"	1 5/8"-12	1"-11						1252520-20-16
28, 30, 32	1 1/4"	1 5/8"-12	1 1/4"-11						1252520-20-20
35, 38	1 1/2"	1 7/8"-12	1 1/4"-11						1252520-24-20
35, 38	1 1/2"	1 7/8"-12	1 1/2"-11						1252520-24-24

# JIC - 37° - CONNECTIONS

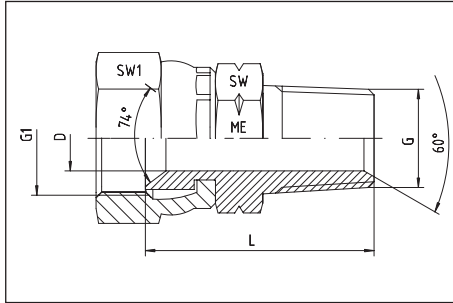
Straight bulkhead connections



Tube O.D.		Thread G	approx. dimensions					SW	ME Order-Code
mm	in.		L	L1	L2	D			
6	1/4"	7/16"-20 UNF	52,5	14,0	31,5	4,0	17	1252513-04-04	
8	5/16"	1/2"-20 UNF	52,5	14,0	31,5	6,0	19	1252513-05-05	
10	3/8"	9/16"-18 UNF	55,5	14,0	33,0	7,5	22	1252513-06-06	
12	1/2"	3/4"-16 UNF	62,0	16,5	37,0	10,0	24	1252513-08-08	
14, 15, 16	5/8"	7/8"-14 UNF	69,5	19,0	40,5	12,0	30	1252513-10-10	
18, 20	3/4"	1 1/16"-12 UN	78,5	21,5	45,0	15,5	36	1252513-12-12	
25	1"	1 5/16"-12 UN	80,0	23,1	44,4	21,5	41	1252513-16-16	
28, 30, 32	1 1/4"	1 5/8"-12 UN	84,0	24,3	45,7	27,5	50	1252513-20-20	
35, 38	1 1/2"	1 7/8"-12 UN	89,5	27,5	46,0	33,0	55	1252513-24-24	
50	2"	2 1/2"-12 UN	106,5	33,9	53,0	45,0	70	1252513-32-32	

# JIC - 37° - STRAIGHT ADAPTORS

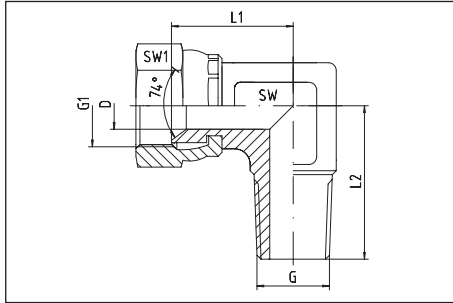
JIC - female - swivel  
NPT - male



Tube O.D.		Thread		approx. dimensions				ME Order-Code
mm	in.	G1 = UNF/UN	G = NPT	L	D	SW1	SW	G1 x G
6	1/4"	7/16"-20	1/8"-27	24,0	4,0	17	12	1252518-04-02
6	1/4"	7/16"-20	1/4"-18	30,0	4,0	17	17	1252518-04-04
6	1/4"	7/16"-20	3/8"-18			17		1252518-04-06
8	5/16"	1/2"-20	1/8"-27	24,0	4,0	17	12	1252518-05-02
8	5/16"	1/2"-20	1/4"-18	30,0	4,0	17	14	1252518-05-04
8	5/16"	1/2"-20	3/8"-18	31,0	4,0	17	19	1252518-05-06
10	3/8"	9/16"-18	1/8"-27	24,5	4,0	19	14	1252518-06-02
10	3/8"	9/16"-18	1/4"-18	30,0	6,0	19	17	1252518-06-04
10	3/8"	9/16"-18	3/8"-18	31,5	7,0	19	19	1252518-06-06
10	3/8"	9/16"-18	1/2"-14	36,0	7,0	19	22	1252518-06-08
12	1/2"	3/4"-16	1/4"-18	32,0	6,0	24	17	1252518-08-04
12	1/2"	3/4"-16	3/8"-18	32,5	9,0	24	19	1252518-08-06
12	1/2"	3/4"-16	1/2"-14	39,0	9,0	24	22	1252518-08-08
12	1/2"	3/4"-16	3/4"-14	40,0	10,0	24	27	1252518-08-12
14, 15, 16	5/8"	7/8"-14	3/8"-18	35,0	9,0	27	22	1252518-10-06
14, 15, 16	5/8"	7/8"-14	1/2"-14	40,0	12,0	27	22	1252518-10-08
14, 15, 16	5/8"	7/8"-14	3/4"-14	41,0	12,5	27	27	1252518-10-12
18, 20	3/4"	1 1/16"-12	1/2"-14	41,0	13,5	32	27	1252518-12-08
18, 20	3/4"	1 1/16"-12	3/4"-14	41,0	15,0	32	27	1252518-12-12
18, 20	3/4"	1 1/16"-12	1"-11,5	46,0	15,0	32	36	1252518-12-16
25	1"	1 5/16"-12	1/2"-14					1252518-16-08
25	1"	1 5/16"-12	3/4"-14	45,0	18,0	41	32	1252518-16-12
25	1"	1 5/16"-12	1"-11,5	48,0	21,0	41	36	1252518-16-16
25	1"	1 5/16"-12	1 1/4"-11,5			41		1252518-16-20
28, 30, 32	1 1/4"	1 5/8"-12	1"-11,5			50		1252518-20-16
28, 30, 32	1 1/4"	1 5/8"-12	1 1/4"-11,5	52,0	27,5	50	46	1252518-20-20
28, 30, 32	1 1/4"	1 5/8"-12	1 1/2"-11,5			50		1252518-20-24
35, 38	1 1/2"	1 7/8"-12	1 1/4"-11,5	54,0	32,0	55	46	1252518-24-20
35, 38	1 1/2"	1 7/8"-12	1 1/2"-11,5	54,5	33,0	55	50	1252518-24-24

# JIC - 37° - ELBOW-ADAPTORS

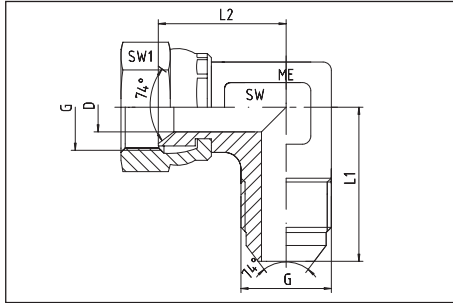
90°-swivel-male-elbow  
 JIC - female - swivel  
 NPT - male



Tube O.D.		Thread		approx. dimensions					ME Order-Code
mm	in.	G1 = UNF/UN	G = NPT	L1	L2	D	SW	SW1	G1 x G
6	1/4"	7/16"-20	1/8"-27					17	1252519-04-02
6	1/4"	7/16"-20	1/4"-18					17	1252519-04-04
6	1/4"	7/16"-20	3/8"-18					17	1252519-04-06
8	5/16"	1/2"-20	1/8"-27					17	1252519-05-02
8	5/16"	1/2"-20	1/4"-18					17	1252519-05-04
8	5/16"	1/2"-20	3/8"-18					17	1252519-05-06
10	3/8"	9/16"-18	1/4"-18	22,3	25,0	7,5	14	19	1252519-06-04
10	3/8"	9/16"-18	3/8"-18	22,3	27,0	7,5	14	19	1252519-06-06
10	3/8"	9/16"-18	1/2"-14					19	1252519-06-08
12	1/2"	3/4"-16	1/4"-18	24,5	29,5	10,0	19	24	1252519-08-04
12	1/2"	3/4"-16	3/8"-18	24,5	29,5	10,0	19	24	1252519-08-06
12	1/2"	3/4"-16	1/2"-14	24,5	34,0	10,0		24	1252519-08-08
12	1/2"	3/4"-16	3/4"-14					24	1252519-08-12
14, 15, 16	5/8"	7/8"-14	3/8"-18	29,5	37,0	12,0	24	27	1252519-10-06
14, 15, 16	5/8"	7/8"-14	1/2"-14	29,5	38,0	12,0	24	27	1252519-10-08
14, 15, 16	5/8"	7/8"-14	3/4"-14	29,5	41,5	12,0	24	27	1252519-10-12
18, 20	3/4"	1 1/16"-12	1/2"-14	31,0	38,0	15,5	24	32	1252519-12-08
18, 20	3/4"	1 1/16"-12	3/4"-14	31,0	41,5	15,5	24	32	1252519-12-12
18, 20	3/4"	1 1/16"-12	1"-11,5					32	1252519-12-16
25	1"	1 5/16"-12	3/4"-14				33	41	1252519-16-12
25	1"	1 5/16"-12	1"-11,5				33	41	1252519-16-16
25	1"	1 5/16"-12	1 1/4"-11,5					41	1252519-16-20
28, 30, 32	1 1/4"	1 5/8"-12	1"-11,5					50	1252519-20-16
28, 30, 32	1 1/4"	1 5/8"-12	1 1/4"-11,5					50	1252519-20-20
28, 30, 32	1 1/4"	1 5/8"-12	1 1/2"-11,5					50	1252519-20-24
35, 38	1 1/2"	1 7/8"-12	1 1/4"-11,5					55	1252519-24-20
35, 38	1 1/2"	1 7/8"-12	1 1/2"-11,5					55	1252519-24-24

# JIC - 37° - ELBOW-ADAPTORS

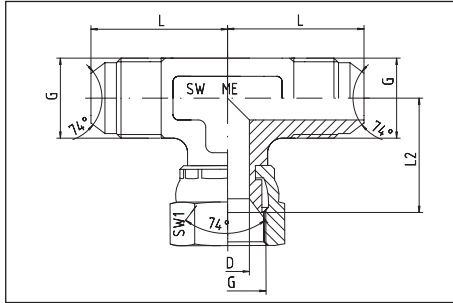
Swivel-elbow-adaptors  
DKJ - AGJ



Tube O.D.		Thread G = UNF/UN	approx. dimensions					ME Order-Code
mm	in.		L1	L2	D	SW	SW1	
6	1/4"	7/16"-20	22,5	16,7	4,0	12	14	1252514-04-04
8	5/16"	1/2"-20	24,0	17,5	5,5	13	17	1252514-05-05
10	3/8"	9/16"-18	27,0	22,5	7,5	14	19	1252514-06-06
12	1/2"	3/4"-16	32,0	24,5	10,0	19	24	1252514-08-08
14, 15, 16	5/8"	7/8"-14	37,5	29,5	12,0	24	27	1252514-10-10
18, 20	3/4"	1 1/16"-12	42,0	31,0	15,5	24	32	1252514-12-12
25	1"	1 5/16"-12	46,0	35,7	21,5	33	41	1252514-16-16
28, 30, 32	1 1/4"	1 5/8"-12	52,5	42,8	27,5	41	50	1252514-20-20
35, 38	1 1/2"	1 7/8"-12	59,0	47,2	33,0	48	60	1252514-24-24

# JIC - 37° - TEE-ADAPTORS

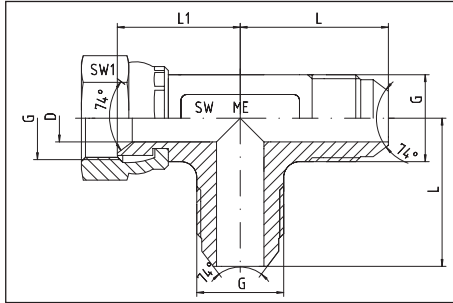
Swivel-branch tee  
AGJ - DKJ - AGJ



Tube O.D.		Thread G	approx. dimensions					ME Order-Code
mm	in.		L	L2	D	SW	SW1	
6	1/4"	7/16"-20 UNF	22,5	16,7	4,0	12	14	1252515-04-04-04
8	5/16"	1/2"-20 UNF	24,0	17,5	5,5	13	17	1252515-05-05-05
10	3/8"	9/16"-18 UNF	27,0	22,3	7,5	14	19	1252515-06-06-06
12	1/2"	3/4"-16 UNF	31,0	24,5	10,0	19	24	1252515-08-08-08
14, 15, 16	5/8"	7/8"-14 UNF	37,5	29,5	12,0	24	27	1252515-10-10-10
18, 20	3/4"	1 1/16"-12 UN	42,0	31,0	15,5	24	32	1252515-12-12-12
25	1"	1 5/16"-12 UN	46,0	35,7	21,5	33	41	1252515-16-16-16
28, 30, 32	1 1/4"	1 5/8"-12 UN	52,5	42,8	27,5	41	50	1252515-20-20-20
35, 38	1 1/2"	1 7/8"-12 UN	59,0	47,2	33,0	48	60	1252515-24-24-24

# JIC - 37° - TEE-ADAPTORS

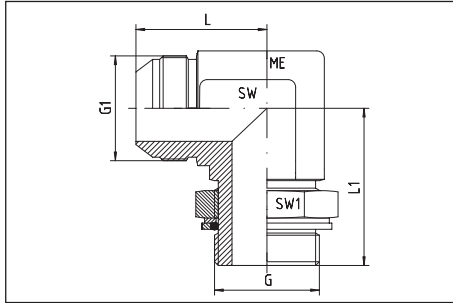
Swivel-run tee  
DKJ - AGJ - AGJ



Tube O.D.		Thread G	approx. dimensions					ME Order-Code
mm	in.		L	L1	D	SW	SW1	
6	1/4"	7/16"-20 UNF	22,5	16,7	4,0	12	14	1252516-04-04-04
8	5/16"	1/2"-20 UNF	24,0	17,5	5,5	13	17	1252516-05-05-05
10	3/8"	9/16"-18 UNF	27,0	22,3	7,5	14	19	1252516-06-06-06
12	1/2"	3/4"-16 UNF	31,0	24,5	10,0	19	24	1252516-08-08-08
14, 15, 16	5/8"	7/8"-14 UNF	37,5	29,5	12,0	24	27	1252516-10-10-10
18, 20	3/4"	1 1/16"-12 UN	42,0	31,0	15,5	24	32	1252516-12-12-12
25	1"	1 5/16"-12 UN	46,0	35,7	21,5	33	41	1252516-16-16-16
28, 30, 32	1 1/4"	1 5/8"-12 UN	52,5	42,8	27,5	41	50	1252516-20-20-20
35, 38	1 1/2"	1 7/8"-12 UN	59,9	47,2	33,0	48	60	1252516-24-24-24

# MALE STUD ELBOWS

adjustable  
 Thread: BSP - parallel  
 Sealing by captive O-ring and washer



Tube O.D.		Thread		approx. dimensions				ME Order-Code
mm	in.	G1 = UNF/UN	G = BSP	L	L1	SW	SW1	G1 x G
6	1/4"	7/16"-20	1/8"	22,6	26,5	11	14	1252530-04-02
6	1/4"	7/16"-20	1/4"	22,6	32,0	14	19	1252530-04-04
8	5/16"	1/2"-20	1/4"	26,6	32,0	14	19	1252530-05-04
10	3/8"	9/16"-18	1/4"	26,9	32,0	14	19	1252530-06-04
10	3/8"	9/16"-18	3/8"	29,0	37,0	19	22	1252530-06-06
10	3/8"	9/16"-18	1/2"	31,0	43,0	22	27	1252530-06-08
12	1/2"	3/4"-16	3/8"	31,8	37,0	19	22	1252530-08-06
12	1/2"	3/4"-16	1/2"	33,8	43,0	22	27	1252530-08-08
14, 15, 16	5/8"	7/8"-14	1/2"	36,8	43,0	22	27	1252530-10-08
18, 20	3/4"	1 1/16"-12	1/2"	42,2	49,5	27	27	1252530-12-08
18, 20	3/4"	1 1/16"-12	3/4"	42,2	49,5	27	36	1252530-12-12
25	1"	1 5/16"-12	1"	46,0	52,0	33	41	1252530-16-16
28, 30, 32	1 1/4"	1 5/8"-12	1 1/4"	52,3	57,0	41	50	1252530-20-20
35, 38	1 1/2"	1 7/8"-12	1 1/2"	59,2	60,5		55	1252530-24-24

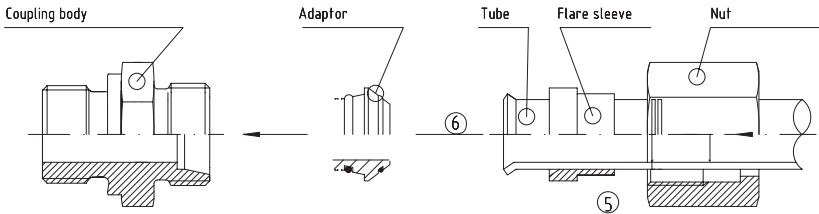
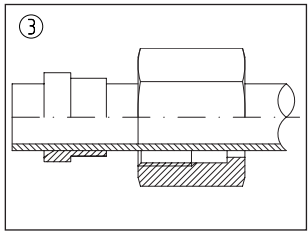
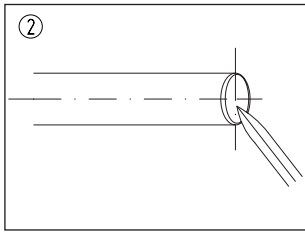
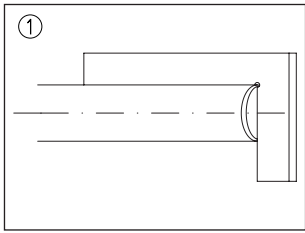


**MANISHA ENTERPRISE - [www.mehydro.com](http://www.mehydro.com)  
FLARE COUPLING PARTS FOR COUPLING BODIES WITH 24°-CONE - W DIN 3861**

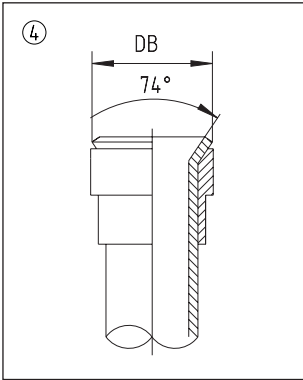
ASSEMBLY INSTRUCTIONS	7.3
TUBE CONNECTING PARTS - TECHNICAL DATA	7.4
TUBE CONNECTING PARTS - ORDER-CODE	7.5



# ASSEMBLY INSTRUCTIONS



1. Cut the tube square (do not use a pipe cutter).
2. Deburr the pipe inside and outside, do not chamfer. Clean the tube end, otherwise the sealing surface of the tube will be damaged when it is flared.
3. Slide the nut and the collar over the tube as shown in the illustration.



Tube O.D.	6	8	10	12	14	15	16	18
DB min.	9,1	11,3	13,1	15,3	18,6	19,1	20,6	23,2
DB max.	10,0	12,0	14,0	16,0	19,6	20,0	22,0	24,0
Tube O.D.	20	22	25	28	30	35	38	42
DB min.	25,6	26,5	31,1	32,7	37,0	41,8	46,0	48,8
DB max.	26,8	27,5	33,0	33,3	38,7	42,7	47,2	49,8

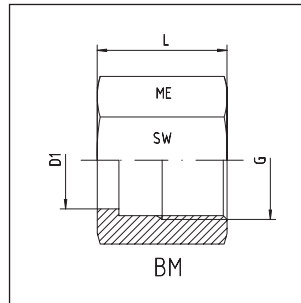
4. Flare the tube by means of flaring tools or a flaring machine. The flare diameter DB must not be out of the limits given in the table. The flare cone must be square to the tubular axle and concentric to the collar. The inner cone must be clean and free of flutes.

5. Press the adaptor into the coupling body and press flared tube onto the adaptor. Screw the nut on by hand. Tighten the nut with a spanner until the adaptor is pressed captively into the coupling body. When torque must be intensified, tighten the nut approx. 1/4 turn more. Each time the connection is detached, it must be retightened without any intensified torque.

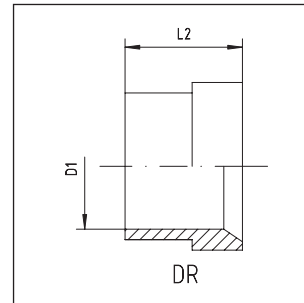
# TUBE CONNECTING PARTS TECHNICAL DATA

For flare couplings 37° and coupling bodies with 24°-cone

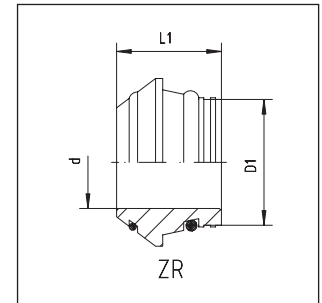
Type of port end W DIN 3861



Nut



Flare sleeve



O-ring adaptor  
O-ring - NBR  
Viton - on request

Series	Pressure PN	Tube O.D. D1 + Tol.	Thread G	SW	L
L	400	6	M 12 x 1,5	14	17,0
L	400	8	M 14 x 1,5	17	18,0
L	400	10	M 16 x 1,5	19	19,5
L	400	12	M 18 x 1,5	22	20,5
L	400	15	M 22 x 1,5	27	23,0
L	315	18	M 26 x 1,5	32	23,0
L	315	22	M 30 x 2	36	27,5
L	250	28	M 36 x 2	41	27,5
L	250	35	M 45 x 2	50	30,0
L	250	42	M 52 x 2	60	34,0
S	630	6	M 14 x 1,5	17	18,0
S	630	8	M 16 x 1,5	19	20,0
S	630	10	M 18 x 1,5	22	20,5
S	630	12	M 20 x 1,5	24	21,0
S	630	14	M 22 x 1,5	27	23,0
S	400	16	M 24 x 1,5	30	26,5
S	400	20	M 30 x 2	36	27,5
S	400	25	M 36 x 2	46	30,5
S	400	30	M 42 x 2	50	32,0
S	315 (1)	38	M 52 x 2	60	38,0

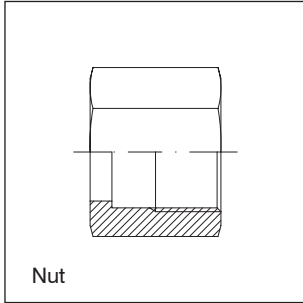
D1 + Tol.	L2
6	10,5
8	11,0
10	12,5
12	13,0
15	14,0
18	14,5
22	18,0
28	17,0
35	19,0
42	21,0
6	10,5
8	11,0
10	12,5
12	13,0
14	14,5
16	17,0
20	17,5
25	20,0
30	21,5
38	26,5

D1	d	L1
6	3	11,5
8	5	12,0
10	6	12,5
12	8	12,5
15	11	12,5
18	14	13,0
22	17	14,2
28	23	14,7
35	28	18,5
42	35	20,5
6	3	11,5
8	5	12,0
10	6	12,5
12	8	12,5
14	9	14,0
16	11	15,0
20	14	18,5
25	19	20,0
30	23	22,0
38	30	26,0

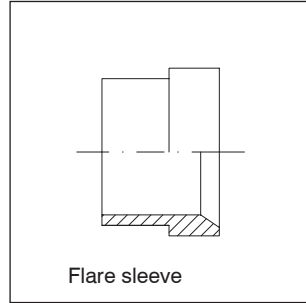
(1) In the 315 bar section, the normal safety factor of 4:1 is reduced to 3:1.

# TUBE CONNECTING PARTS

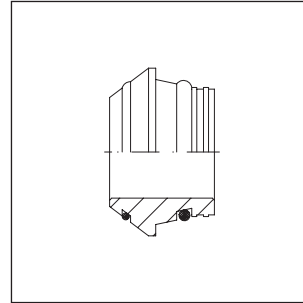
For flare couplings 37°



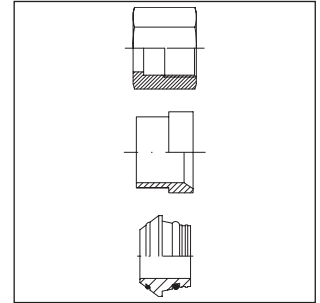
Nut



Flare sleeve



O-ring adaptor  
O-ring - NBR  
Viton - on request



ME Order-Code
Nut
BM-06-L
BM-08-L
BM-10-L
BM-12-L
BM-15-L
BM-18-L
BM-22-L
BM-28-L
BM-35-L
BM-42-L
BM-06-S
BM-08-S
BM-10-S
BM-12-S
BM-14-S
BM-16-S
BM-20-S
BM-25-S
BM-30-S
BM-38-S

ME Order-Code
Flare sleeve
DR-06-L
DR-08-L
DR-10-L
DR-12-L
DR-15-L
DR-18-L
DR-22-L
DR-28-L
DR-35-L
DR-42-L
DR-06-S
DR-08-S
DR-10-S
DR-12-S
DR-14-S
DR-16-S
DR-20-S
DR-25-S
DR-30-S
DR-38-S

ME Order-Code
O-ring adaptor
ZR-06-L
ZR-08-L
ZR-10-L
ZR-12-L
ZR-15-L
ZR-18-L
ZR-22-L
ZR-28-L
ZR-35-L
ZR-42-L
ZR-06-S
ZR-08-S
ZR-10-S
ZR-12-S
ZR-14-S
ZR-16-S
ZR-20-S
ZR-25-S
ZR-30-S
ZR-38-S

ME Order-Code
Complete parts
BAN-06-L
BAN-08-L
BAN-10-L
BAN-12-L
BAN-15-L
BAN-18-L
BAN-22-L
BAN-28-L
BAN-35-L
BAN-42-L
BAN-06-S
BAN-08-S
BAN-10-S
BAN-12-S
BAN-14-S
BAN-16-S
BAN-20-S
BAN-25-S
BAN-30-S
BAN-38-S

