

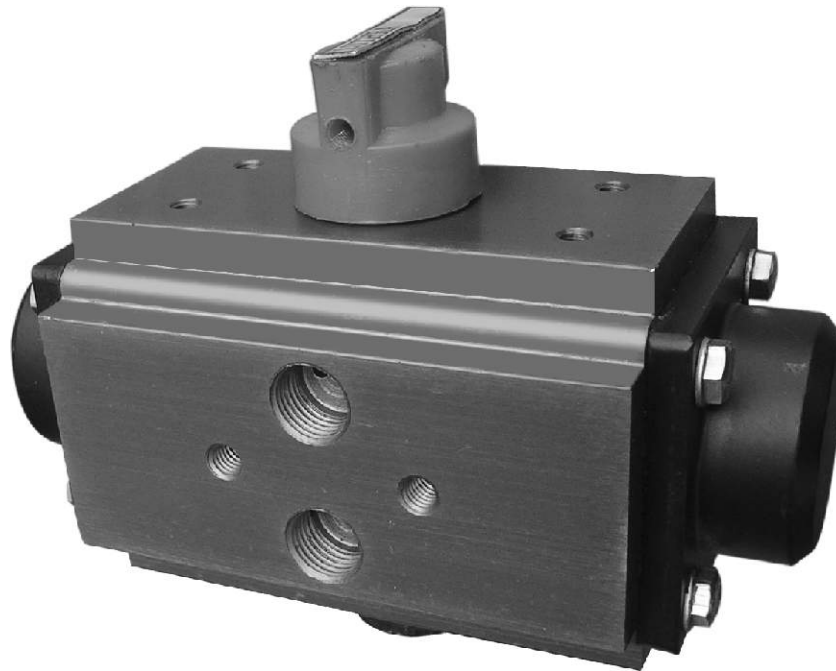
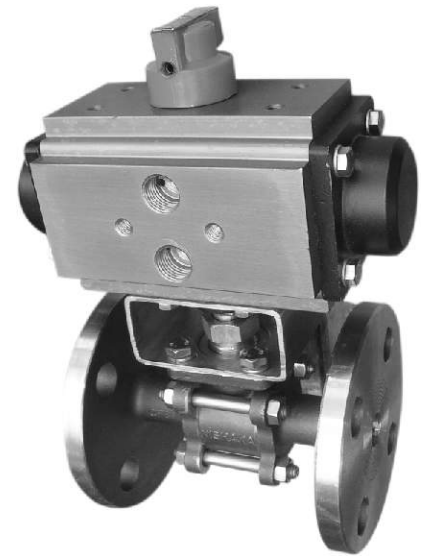


**DESCRIPTION :** LUTHRA Pneumatic actuators are powerful and compact double rack & pinion unit for use with ball, butterfly and plug valves and any device requiring accurate and dependable ¼ turn rotary motion. The use of high grade steel and aluminum components provide a tough and reliable unit for the automation industry. Spring return actuators incorporate the multiple spring concept for maximum flexibility, they also “field serviceable”.

**FEATURES :** These actuators cover the small and large end of the Torque range. 5 Sizes from 0.47KGM to

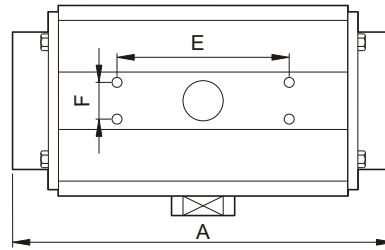
## Material Of Construction

- Body : Aluminum hard anodized
- Piston : Aluminum
- Pinion : En1
- Spring : Spring steel material, Grade no.3
- End Caps Aluminum pressure die cast & Anodised.
- Guide : Nylon
- 'O' Rings : Nitrile
- Fasteners: Stainless steel, Ss304
- Indicator : Nylon

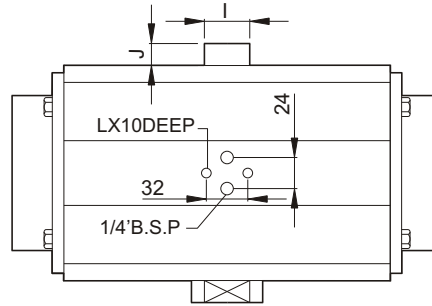
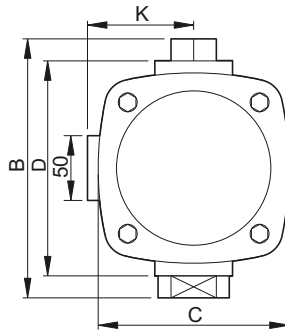




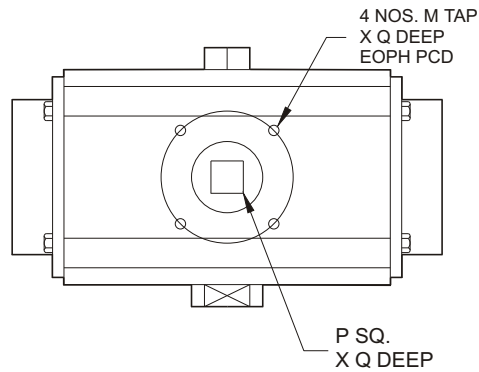
Piston



Spindle



Spring



### ACTUATOR SIZE

SR.NO.	MODEL NO.	A	B	C	D	E	F	G	H	I	J	K	L	M	PCD	O	P'SQ.	Q
1	50042	138	95	59	66	64	22	M5	10	14	19	33	M6	M5	42	10	8	8
2	50051	156	110	66	81	76	24	M5	10	14	19	40	M6	M6	50	10	12	8
3	50063	188	126	79	97	90	32	M6	10	14	19	48.5	M6	M6	50	10	16	16
4	50075	209	146	94	112	100	32	M6	10	20	19	56	M6	M8	70	10	16	16
5	50101	271	170	122	140	120	32	M6	10	20	20	70	M6	M8	70	10	19	19
6	50125	332	200	147	166	150	32	M6	10	35	25	82	M6	M8	102	10	25	25

### TORQUE OUTPUT(KGM) DOUBLE ACTING ACTUATOR

(1 KGM = 85LBS/INC APPROX)

SR.NO.	MODEL NO.	OPERATING PRESSURE (BAR)						
		2	3	4	5	5.5	6	7
1	50042	0.47	0.71	0.95	1.13	1.20	1.42	1.68
2	50051	1.05	1.58	2.1	2.64	2.91	2.17	3.70
3	50063	1.93	2.90	2.07	4.10	5.32	5.80	6.77
4	50075	3.32	4.98	6.64	6.10	9.13	9.98	10.18
5	50101	5.41	8.12	10.83	13.54	14.9	16.24	16.85
6	50125	12.31	16.47	24.62	30.78	33.86	36.94	43.09