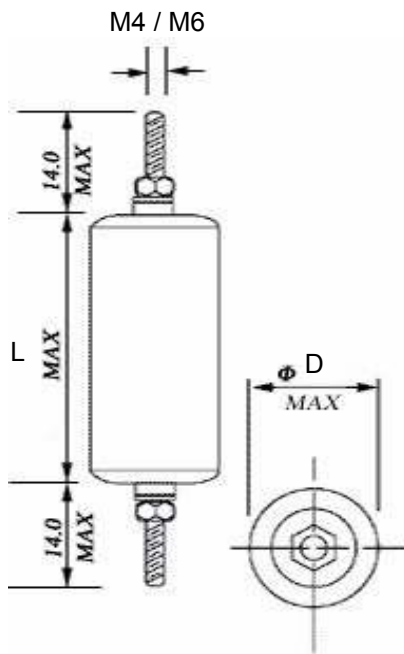


FMD51

Features

Oil Impregnated for Good Corona Resistance
 Dielectric - Polyester + Paper
 Electrode - Aluminium Foil
 Coil - Non-inductively wound, mineral oil impregnated
 Leads - Brass stud
 Construction - Aluminium can + Blue PVC Sleeve,
 stud insert moulded plastic end caps
 Markings - El-Ci-Ar logo, Capacitance, Voltage, Type
 Capacitor Tolerance - 20% (M), 10% (K), 5% (J)
 Dissipation Factor ≤ 0.01 at 1KHz at 25C (Typical Value 0.005)
 Test Voltage - $2.5 \times V_r$ for 2 sec ($V_r=2000V, 3000V$)
 $2 \times V_r$ for 2 sec ($V_r=5000V$)
 Max Pulse Rise - 300V/usec
 Temperature Range from $-25^{\circ}C$ to $+85^{\circ}C$
 Insulation Resistance $\geq 25 G\Omega$ for $C \leq 0.33\mu F$ At 20C
 ≥ 75000 sec for $C \geq 0.33\mu F$



Applications

General Purpose RC N/W across diodes, SCR
 Suited for High Voltage Applications like Induction Heating
 Suppression Circuits

Available Values

Capacitance - 0.1uF to 1uF
 Voltage - 1000VAC / 1200VAC

Value (uF)	Diameter	Length	Stud
0.1	19	40	M4
0.25	25	72	M6
0.5	30	72	M6
1	40	100	M6