



# Full Port High Pressure Ball Valve

# ALFA INDUSTRIAL EQUIPMENTS

**OFFICE & WORKS:** Gala.No: 199/3 Quddus Compound, Opp. M.K Bros, Kurla Andheri Road, Jari-Mari, and Mumbai. No: 400 072 (INDIA) **Tel, Fax:** 2850 9836. **Mobile:** 9820 529385. **E-Mail:** alfa\_aie@yahoo.com **Web:** www.alfavalvesindia.com

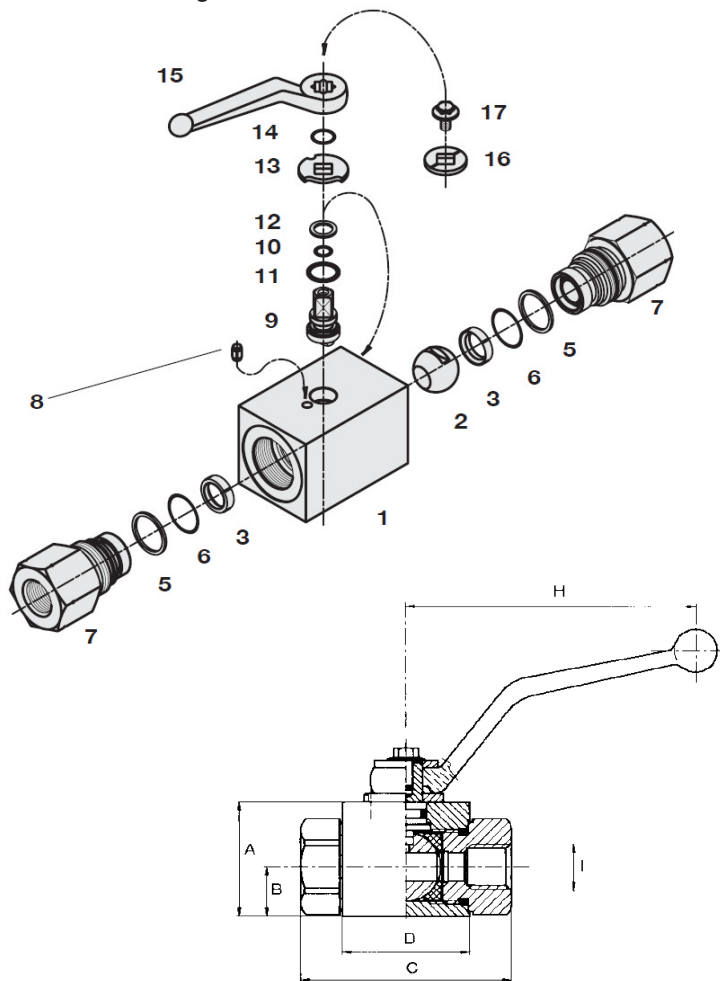
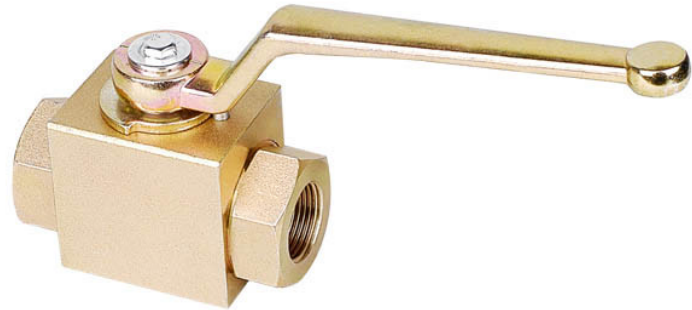
**Regd. Office:** D – 23, MEK Industrial Complex, Mumbra, Thane: 400 612 (India) **Tel, Fax:** 25463439, **Mobile:** 9820 529385

### Specifications

- 3000 LBS (210 bar) Working Pressure
- Two-Way Valves
- 1/4" – 1.1/2" Fully Ported
- NPT Threaded Connections
- Temperature Range: (-34°C to 100°C)
- Seat Material: Reinforced TFE / Delrin
- Carbon Steel
- Zinc Plated Body

### Options

- Stainless Steel Construction
- Limit Switches
- Actuator Packages Available



### Parts List:

Item No.	Quantity	Description
1	1	Body
2	1	Ball
3	2	Seat
5	2	Connector O-Ring
6	2	Pipe Back-up Ring
7	2	Connector
8	1	Stop Pin
9	1	Stem
10	1	Thrust Ring
11	1	Stem O-Ring
12	1	Pipe Back-up
13	1	Cam Plate
14	1	Snap Ring
15	1	Handle
16	1	Flow Indicator
17	1	Stem Screw

### Dimensions: (in Inches)

Size:	A	B	C	D	E	F	G	H	SW	I
1/4	1.37	0.55	2.79	1.65	0.43	1.93	1.18	4.33	0.35	0.23
3/8	1.57	0.66	2.82	1.75	0.43	2.12	1.37	4.33	0.35	0.40
1/2	1.69	0.70	3.25	1.89	0.43	2.25	1.5	4.33	0.35	0.50
3/4	2.16	0.90	3.75	2.44	0.51	3.27	2.16	7.09	0.55	0.75
1	2.56	1.15	4.45	2.60	0.51	3.27	2.16	7.09	0.55	1.00
1.1/2	2.56	1.15	4.88	2.60	0.51	3.27	2.16	7.09	0.55	1.00



# ALFA INDUSTRIAL EQUIPMENTS

**TEL: +91 022 25463439 FAX: +91 022 28509836 E-mail: alfa\_aie@yahoo.com**