

Product description

NIVOMat dividing curtains divide large rooms and halls into small units in which various activities can take place at the same time. They are mounted clearly visible in the beam area or invisibly between a suspended ceiling, where one is present, and the lower edge of the ceiling. If necessary they can be lowered electrically. If they are not used the hall

is available in its entirety. Dividing curtains reduce energy costs because air conditioning and lighting in the unused parts of the hall can be noticeably reduced. Dividing curtains are good sound-absorbing surfaces especially for modern halls built in open-plan style.



Bühnenbau Schnakenberg developed the first dividing curtains in the world in 1959 for the Heckinghausen sports hall in Wuppertal and has manufactured and assembled more than 8500 systems.

Areas of use

- **Gymnasiums and sports halls**
- **Multi-purpose halls**
- **Exhibition halls**
- **Indoor swimming pools**
- **Indoor event halls**
- **Industrial halls**



Special solution. The dividing curtain can also be installed horizontally to fit around building obstacles.



Synthetic leather in special colours on request

Two-way improvement of acoustics in the hall.

Schnakenberg dividing curtains improve the acoustic conditions in sports and multi-purpose halls in two ways.

- By achieving the soundproofing value of 22db (A) between the divided hall areas required in DIN 18032. Because the human ear perceives a reduction of 10 db (A) as a halving of the noise level 22 dB (A) represents a considerable diminution of noise pollution.



Blinds and partitions to exclude extraneous sound in the roof area when acoustic demands are high.

- By achieving the sound absorption required by DIN 18032 by means of the fleece coated facing of the partition material. The reduction of the disruptive echo effect leads to speech being considerably better understood with a correspondingly positive effect on sports lessons and for regular users of the sports hall. In addition synthetic leather with a sound-absorbing fleece facing and a weight of 1400 g/m² has a surface weight (g/m²) that is 200 g more than that of conventional synthetic leather. Because soundproofing is dependent on surface weight this extra weight has a positive effect on the soundproofing.



Textile hanging material, fabrics and curtains of all types for optical reduction in size of event halls.



Dividing curtains are outstanding for dividing exhibition halls.

Safety

NIVOMat dividing curtains bear the "GS" sign for certified safety. They are TUV-certified for their design, carry the CE sign and meet in all respects the demands of DIN 18032, Part 4 Dividing Curtains. A safety brake prevents uncontrolled too-rapid lowering or crashing down of the curtain. More than 10 000 installations are in daily use, the oldest of them having been in use since 1959.



Partition cut-outs are needed for handrails or steps in the area of the dividing curtain.

Assembly

NIVOMat dividing curtains are made of standard modules with complete freedom of design for the architect with all the advantages that result from this – especially regarding maintenance costs. Assembly is quick and clean without welding and without cutting. Pre-assembly of the high draw-gear is not necessary. Complete assembly takes place on the bare floor or the completed hall flooring. Quick, clean and uncomplicated



Mesh-synthetic leather combinations are usually used as room dividers in large halls so as not to impair the ingress of daylight and the visual size of the hall. There is no noise separation when room dividers are used.



Sport hall divisible into 3 parts.



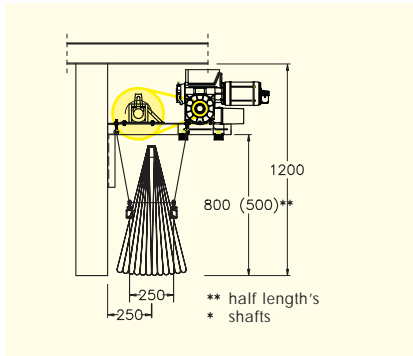
Inclined curtain hoist systems for halls with gable or pent roof.

PVC-free hanging material

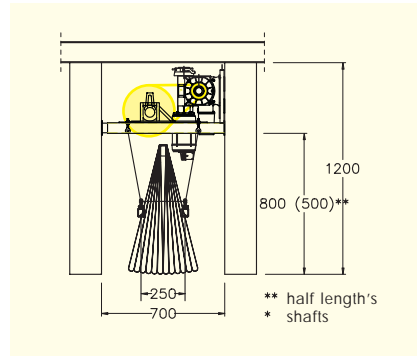
PVC-free synthetic leather based on polyolefine can be recycled and does not release any dioxine if there is a fire. It fulfils the demands of DIN 18032 regarding environmental protection and environmental sustainability.



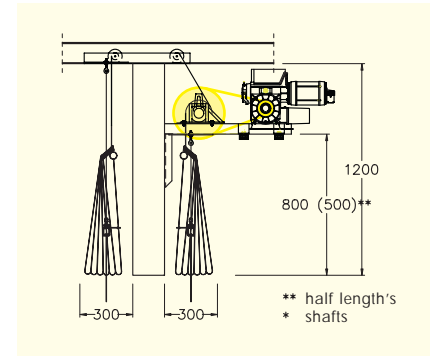
Shaft system



Installation next to a beam

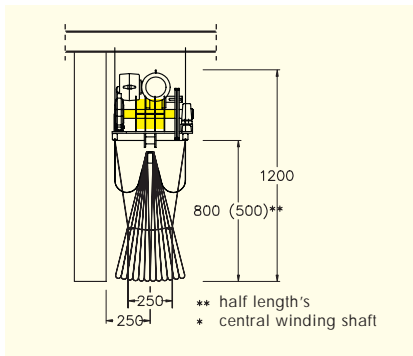


Installation between two beams

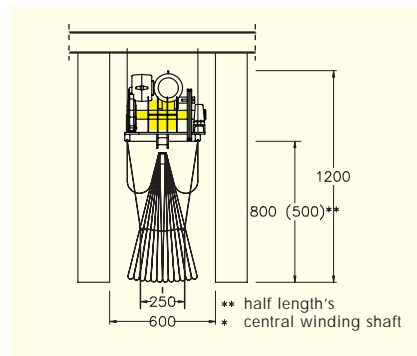


Functioning both sides of a beam

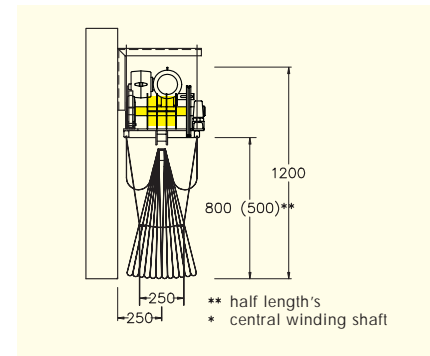
Central winding shaft



Installation next to a beam



Installation between two beams



Installation next to a beam

Weight table shaft system*

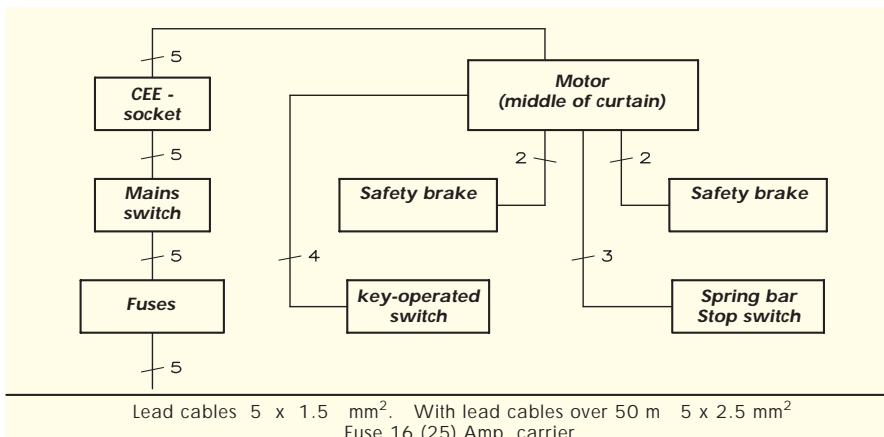
Weight table central winding shaft*

Synthetic leather g/m ²	Weight of the dividing curtain including drive in kg				Synthetic leather g/m ²	Weight of the dividing curtain including drive in kg			
	18 x 6 m	21 x 7 m	27 x 7 m	32 x 8 m		18 x 6 m	21 x 7 m	27 x 7 m	32 x 8 m
1200	725	900	1150	1350	1200	580	710	890	1130
1400	825	1050	1350	1600	1400	685	850	1070	1370
2000	925	1200	1500	1800	2000	790	990	1250	1610
Motor output in kW					Motor output in kW				
	1,1 – 1,5	1,5 – 2,2	1,5 – 3,1	3,1 – 4,1		1,1 – 1,5	1,5 – 2,2	1,5 – 3,1	3,1 – 4,1

All weights not including possible substructure

All weights not including possible substructure

Wiring diagram of a dividing curtain





Export Refereces

Country	City	Project
A	Hausmannstätten	Sports hall
A	St. Pölten	NXP Veranstaltungszentrum
A	Wien	Sports hall Koppstraße
CH	Kägiswil	Sports hall Spitzler
E	Almeria	Sports hall
E	Alicante	Sports hall
E	Barcelona	Palau San Jordi
E	Barcelona	INEFC
E	Cadiz	Sports hall
E	Granada	Palacio de deportes
E	Madrid	University Politechnica .Madrid
EC	Quito	Deutsche Schule
ET	Alexandria	Congress House of Libary
F	Clermont-Ferrand	Atelier Industriel de L'Aéronautique
F	Colmar	Gymnase Camillece, Judohalle
F	Grau du Roi	Salle de Sport
F	Illzach	COSEC Alsace
F	Lyon	Salle Sportive et d'Expo, Uni Lyon
F	Mulhouse	Centre Sportif de L' Illberg
F	Mulhouse	Gymnasium Koechlin
F	Ottmarsheim	Salle Polyvalente
F	Revigny	Gendarmerie
F	Trappes	La Plaine de Neauphle
F	Villeurbanne	Université
F	Wittelsheim	Lycee Amelie Zurcher
GR	Athen	OAKA Hall Kalogreza
GR	Thessaloniki	German School
JPN	Nerima	Sporthall
JPN	Fukuda	Olympiad Plaza
JPN	Nerima	Sporthall
JPN	Toyko	National Olympic Ctr.
JPN	Fujioka	Sportcenter
JPN	Inmage	5 th Hall
JPN	Komae	City Gymnasium
JPN	Hijikawa	Sport Hall
JPN	Shonan	Inst. Technique



L	Esch Sur Alzette	Lycée des Garçons
L	Hosingen	Parc Hosingen
L	Limpertsberg	Sports hall
L	Luxembourg	Centre National Le Coque Kirchberg
L	Petange	Lycee Mathias Adam
L	Walferdange	Sports hall
LT	Ventspils	Sia Olimpiskais Centre Ventspils
MAL	Labuan	Labuan Financial Park
NL	Deventer	Schwimmbad Deventer
NL	Horn	Sports hall
NL	Nederweert	Sports hall
NL	Swalmen	Sports hall
NL	Waalre	Sports hall
P	Povoa de Varzim	Sport hall
ROC	Taipei/Taiwan	Nat. Chung Chen University
SGP	Singapur	American School
SGP	Singapore	Temasek Polytechnic Sports Hall
SGP	Singapore	Bishan Indoor Sports Hall