

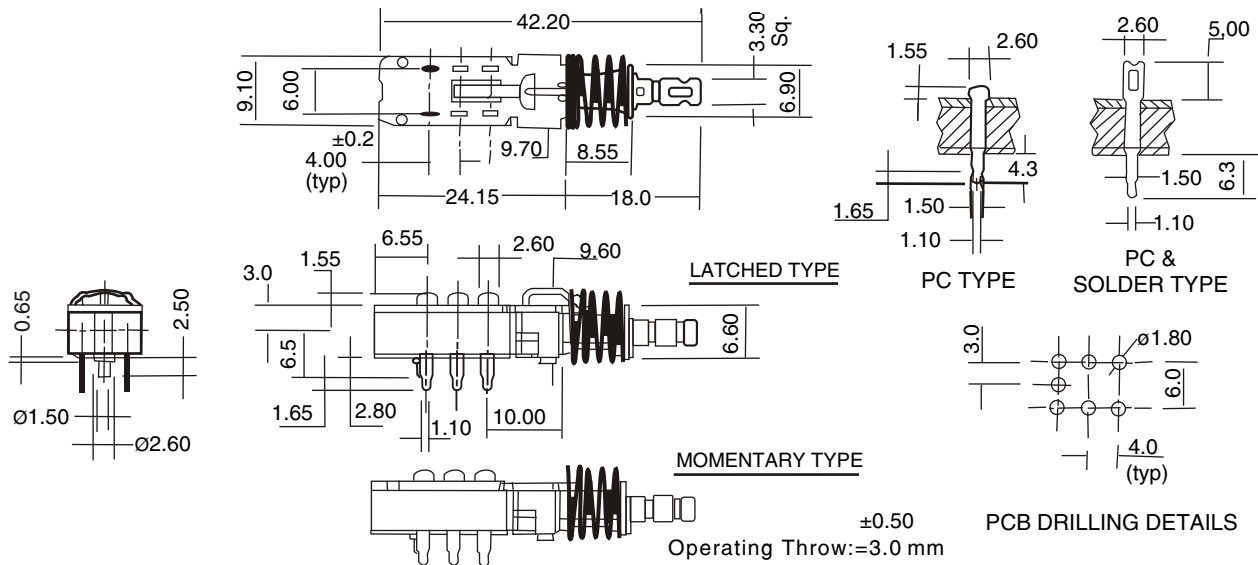
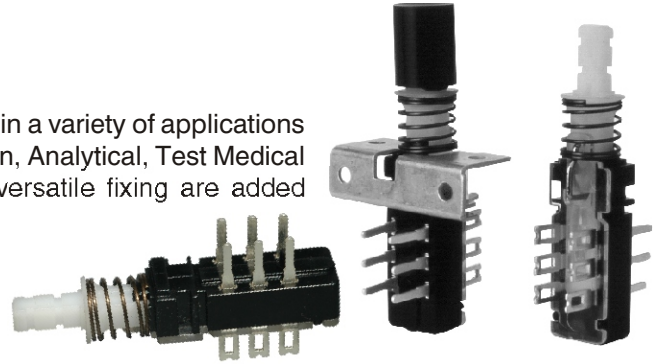
PUSH BUTTON SWITCHES



Series 26 - Solder / PC Straight

DESCRIPTION

Integral Series 26 Push Button Switches will find use in a variety of applications where a reliable 2p2w switch is required. Communication, Analytical, Test Medical Equipment manufactured will find its small size and versatile fixing are added advantage.



SPECIFICATIONS

CONTACT RATING	: 250 mA @ 230 V AC/28 V DC
MODE OF SWITCHING	: Break Before Make
CONTACT RESISTANCE	: 15 milliohms maximum
INSULATION RESISTANCE	: 100 Megohms @ 500 V DC
DIELECTRIC STRENGTH	: 1 Kv AC for 1 minute
LIFE ELECTRICAL	: 3,00,000 Operations
LIFE MECHANICAL	: 5,00,000 Operations

MATERIALS

BODY	: Poly Carbonate
TOP PLATE	: Poly Carbonate / PBT
PLUNGER	: Acetal
CONTACTS	: Copper Alloy Silver Plated
SPRINGS	: Stainless Steel
CAPS	: Abs

ORDERING CODE

2

6

2

No. of Poles

Switching Function

Terminal Selection

Cap

Cap Colour

Fixing

1 - Latched
8 - Momentary

2 - Solder + PC
3 - Only PC

0 - w/o Cap
1 - Round

1 - Black
2 - Red

0 - w/o Bracket
1 - with Bracket

All Dimensions in mm.

INTEGRAL SYSTEMS AND COMPONENTS PRIVATE LIMITED
45/46, Gubbanna Indl. Estate, 6th Block, Rajajinagar, Bangalore - 560 010 India
Phones: (080) 2315 4247 / 2311 3519 Fax: (080) 2315 4256
Website: www.integralsys.in E-mail: integral_systems@dataone.in, sales@integralsys.in

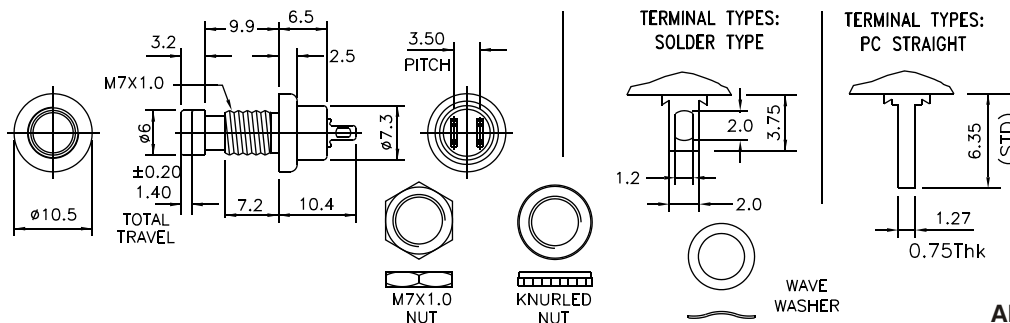
PUSH BUTTON SWITCHES



Series - 44

DESCRIPTION

Integral Series 44 Panel Mounted Push Button Switches meet the demand of customers wanting a high quality Switch capable of being used even on Panel Boards (with a Break down voltage of 2 kV.) Careful of materials and Finishes result in reliable and consistent long term performance.



All Dimensions in mm.

ELECTRICAL SPECIFICATIONS

CONTACT RATING	: 1 Amp @ 230 V DC OR 0.4 VA @ 20 V AC or DC
CONTACT RESISTANCE	: Below 20 milliohms initial
INSULATION RESISTANCE	: 100 Megohms min.at 500 V DC with Bakelite Body 1000 Meghoms minium at 500 V DC with DAP Body.
DIELECTRIC STRENGTH	: 1 kV AC for 1 min wit PBT G/F 30 /DAP Body
OPERATING TEMP	: -10 ⁰ C to 55 ⁰ C
ELECTRICAL	: 100,00 operations
MECHANICAL LIFE	: 150,000 operations

MATERIALS & FINISH

BODY	: PBT G/F 30 (Glass filled) DAP (Glass filled)
PLUNGER	: Poly Carbonate
Bushing / NUTS	: Brass, Nickel plated.
CONTACT	: Copper Alloy Silver plated Rating 0.5 A @ 230V AC Silver - Copper Bimetal Rating - 1A @ 230V AC or 28V DC Copper Alloy Gold plated over Nickel Rating 0.4 VA Max @ 20 V AC / DC Silver - Copper Bi-metal Gold plated over Nickel plated Rating 0.4 VA @ 20 V AC / DC or 1A/230 V AC / 28 V DC

ORDERING INFORMATION:

Given below are the variations possible and corresponding Ordering Code

ORDERING CODE	4	4		8				
	CONTACT SELECTION			TERMINATION		PLUNGER COLOUR	BODY MATERIAL	KNURLED NUT WITH RUBBER BOOT
	0 - Cu - (Ag plt.) 1 - Ag - (Ag plt.) 2 - Cu - (Au plt.) 3 - Ag - (Au plt.)			2 - Solder type 3 - PC type		1 - Black 2 - Red	1 - DAP 2 - PBT(GF) UL-94V0	0 - W/O Rubber boot 1 - Red 2 - Black 3 - Grey

Note: One Round Knurled nut, one Hexagonal nut and a Wave washer are supplied with the switch.

TINY PUSH BUTTON SWITCHES



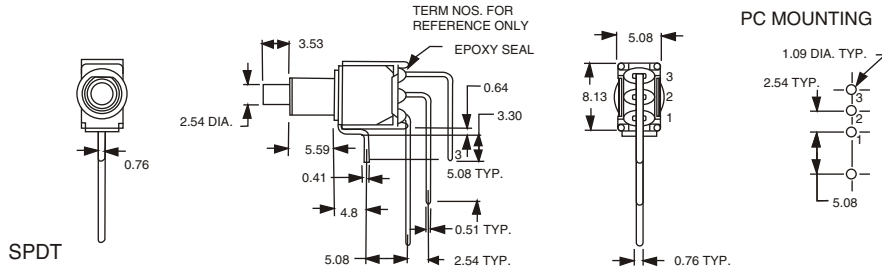
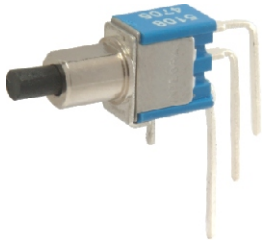
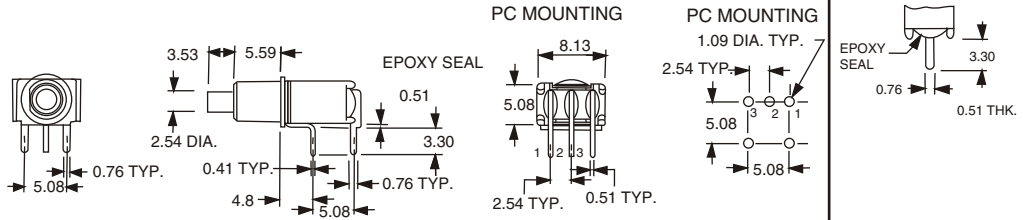
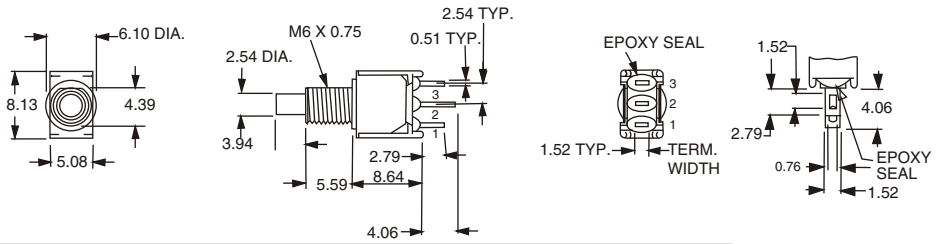
Series 50 (1 Pole - Momentary)

DESCRIPTION

Integral Tiny Push Switches embody all the design features of our highly popular miniature Toggle Switches such as epoxy sealing of terminals, silver inlay contacts for higher current operation, gold plated contacts for low-level circuit operation, various type of switching function, etc., P.C. versions with mounting on 0.1" (2.54mm) centres with very small volume and height, save space in PCB. This data sheet offers the normally used types of the switch. Many other variations can be offered on specific enquiry.

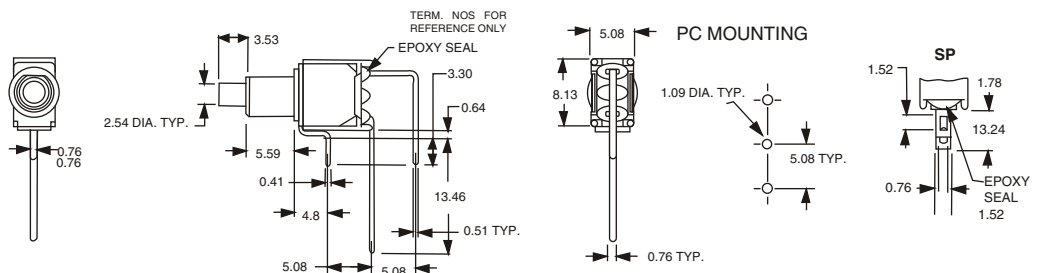
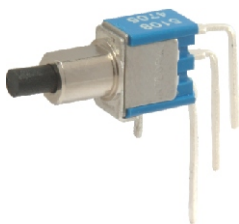
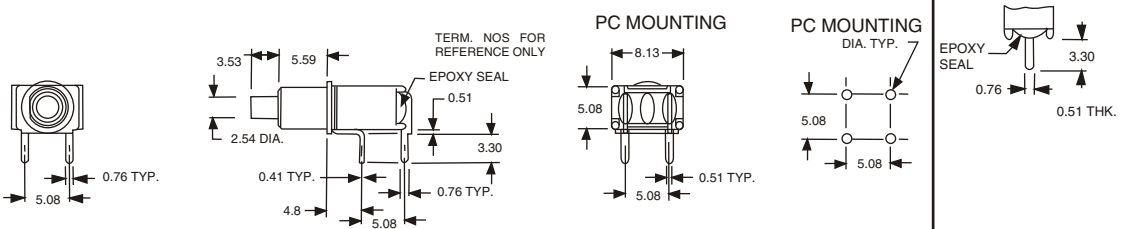
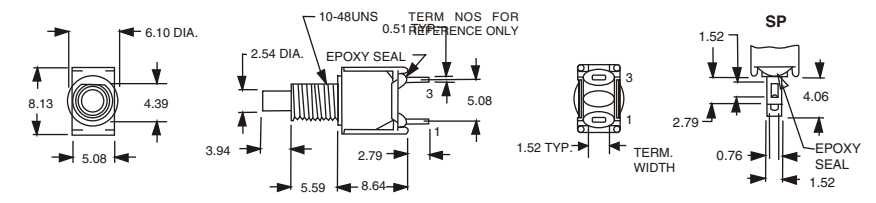
**SPDT
SOLDER
PC**

	SWITCHING FUNC.	
	POS 1	POS 2
See below	ON	MOM.
CONNECTED TERMINALS	2 - 1	2 - 3
SCHMATIC		
	NC 1	3 NO
	MOM. - MOMENTARY POSITION	



SPST

	SWITCHING FUNC.	
	POS 1	POS 2
SPST	OFF	MOM.
CONNECTED TERMINALS		1 - 3
SCHMATIC		
	MOM. - MOMENTARY POSITION	



All Dimensions in mm.

SPECIFICATIONS

CONTACT RATING : See below under CONTACT SELECTION
 ELECTRICAL LIFE : 30,000 make-and-break cycles at full load
 CONTACT RESISTANCE : Below 20 milliohms initial @ 2-6 V DC.
 100 mA for both silver and gold plated contacts.
 INSULATION RESISTANCE : 1000 Megohms (min)
 DIELECTRIC STRENGTH : 1000 V RMS min. @ sea level.
 OPERATING TEMP. : -30° C to 85° C.

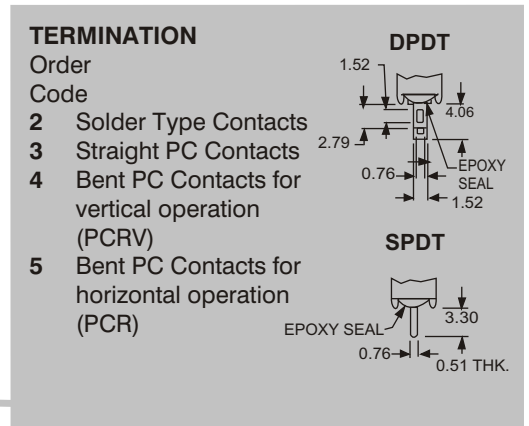
MATERIALS & FINISHES

BODY : Diallyl Phthalate (GF)
 PLUNGER : Nylon / PBT
 HOUSING : Stainless Steel
 BUSHING : Brass Nickel plated
 HARDWARE : Brass Nickel plated
 SWITCH SUPPORT : Brass electro-tin plated
 TERMINAL SEAL : Epoxy
 CONTACTS : See below under CONTACT SELECTION

ORDERING INFORMATION : Given below are the variations possible and corresponding ordering code.

CONTACT SELECTION		
Order Code		
0	CONTACTS & ALL TERMINALS.	: Copper/Copper alloy Silver plated
	RATING	: 100 mA @ 120 V AC or 28 V DC
1	END CONTACTS	: Coin silver, silver plated
	CENTRE CONTACTS & ALL TERMINALS.	: Copper alloy silver plated.
	RATING	: 1 Amps. @ 120 V AC or 28 V DC
2	CONTACTS & ALL TERMINALS	: Copper alloy with gold plate over nickel plate.
	RATING	: 0.4 VA max. @ 20 V AC or DC max.
3	END CONTACTS	: Coin silver with gold plate over nickel plate.
	CENTRE CONTACTS & ALL TERMINALS.	: Copper alloy with gold plate over nickel plate.
	RATING	: 0.4 VA max. @ 20 V AC or DC max or 1 Amps @ 120 V AC or 28 V DC.

(This contact can be used where either dry circuit or power conditions exist. However when dry circuit rating is exceeded the gold plating is removed from the contact and the switch cannot be used in dry circuits.)



PLUNGER	
Order Code	
70	- Black Color Plunger w/o Cap
71	- Red Color Plunger w/o Cap
72	- Plunger with Black Color Cap
73	- Plunger with Red Color Cap
74	- Plunger with Green Color Cap

SWITCH FUNCTION	
Order Code	
0	SPST
1	SPDT

MOUNTING		
Order Code		
0	Bush threaded	M5 x 0.5, 5.5 long
1	Bush threaded	M6 x 0.75, 6.1 long (without collar)
5	Bush unthreaded	5.0 x 0.5, 5.5 long
6	Panel Sealing	M6 x 0.75

PANEL MOUNTING HOLES

ORDERING CODE

5



8

