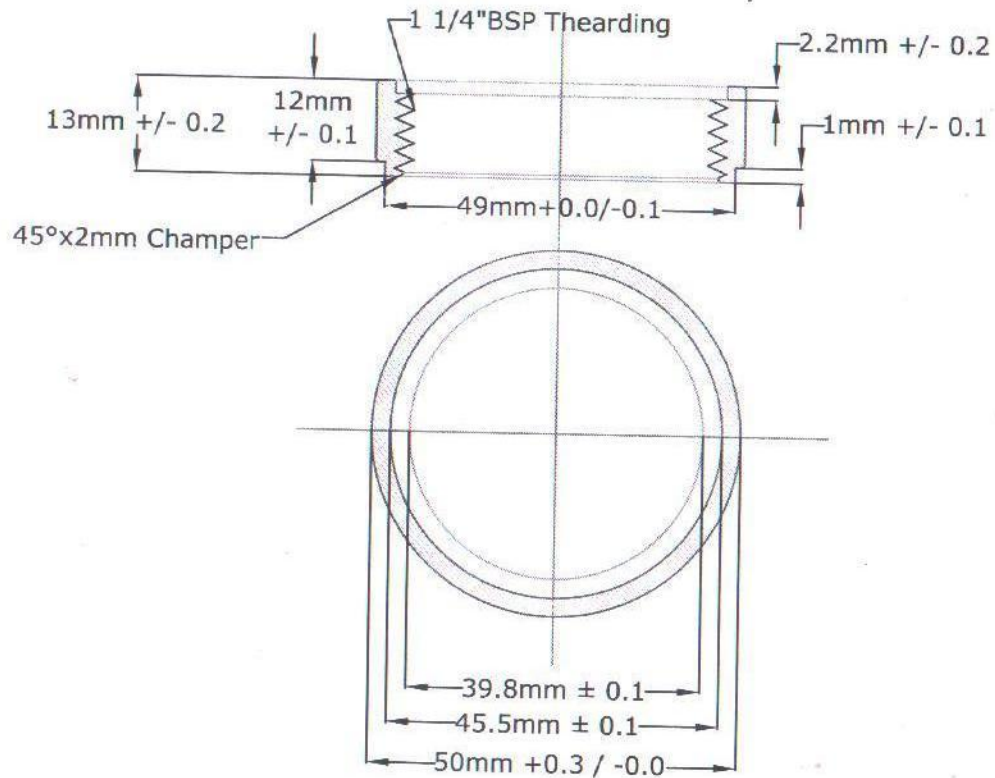
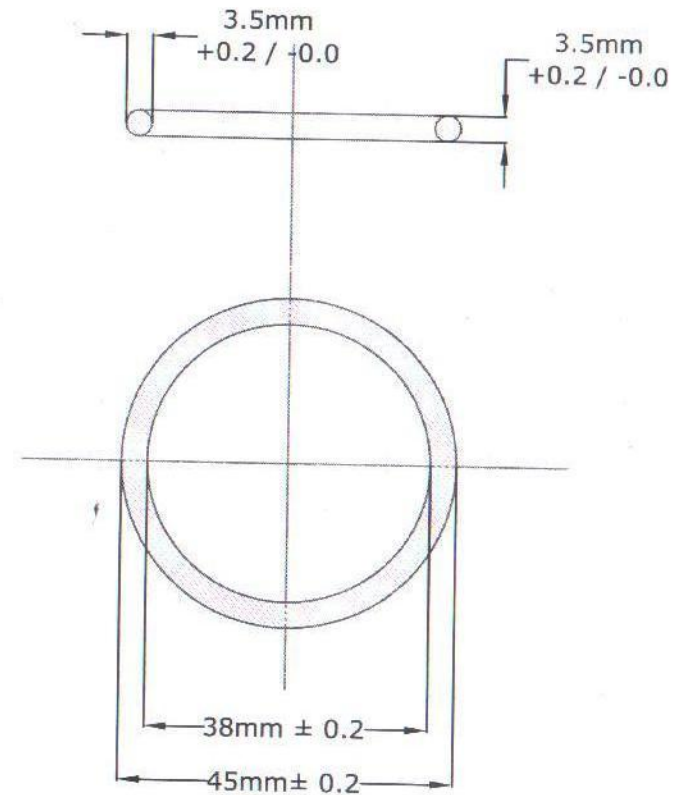



# M.S. Socket



# 'O' Ring



Drawn By :	DN		<b>BOHRA ENGINEERING &amp; Trading CORPN.</b>
Approved By :	AAB		
Check By :	BG		
Date :	09.02.10		
Scale :	Not in Scale	Part Name :	M.S.Socket & 'O' Ring
If in doubt ask :	Computer generated drawing	Part Number :	BE - 6001 & BE - 6002
All dimensions are in mm		Drawing No :	S05 / R01
Remove all burs & Sharp edges		Material :	M.S.Seamless Pipe & Nitrirel Rubber
		Remark :	